

MICRO FORK LIGHT BARRIERS OMU

UNIVERSAL USE, THANKS TO A
WIDE VOLTAGE RANGE.

 **di-soric**

MEETING MOST STANDARD & QUICK INSTALLATION

MICRO FORK LIGHT BARRIERS

Micro Fork Light Barriers are used in narrow spaces. Several sizes enable the perfect integration in the engineering and machine technics. The products are well suited for counting jobs, detection of small parts, positioning and final position monitoring.

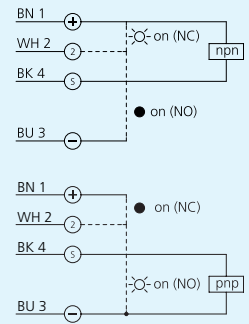
- Four housing variants available
- Integrated electronic module
- Light/dark switching
- Wide operating voltage range
- Connector/cable version
- Bright ring LED
- Robust housing

Universal use, thanks to a wide voltage range.

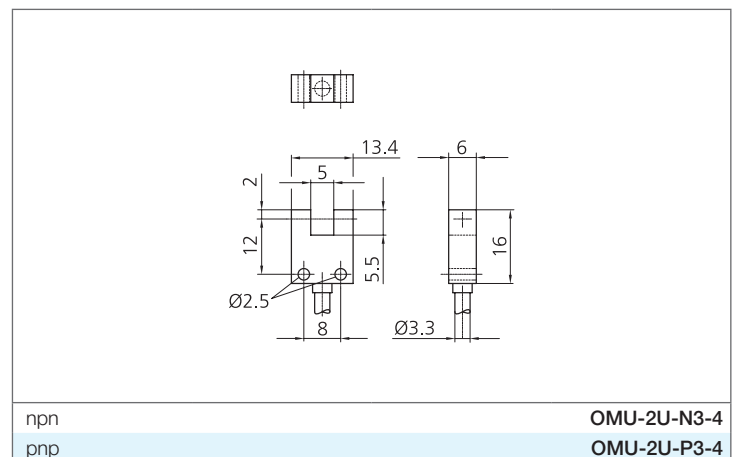
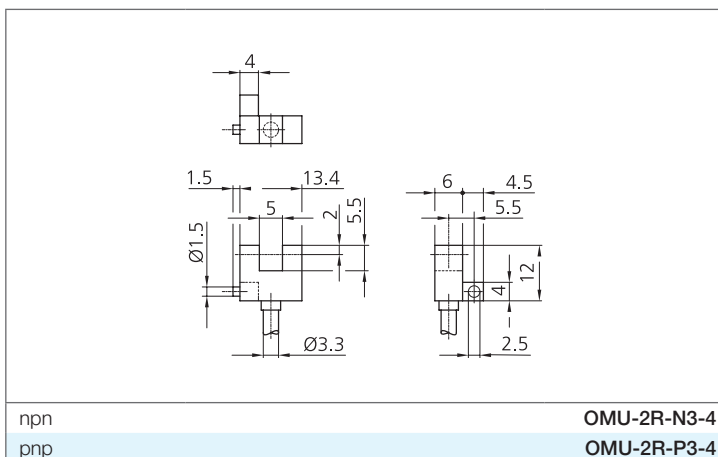
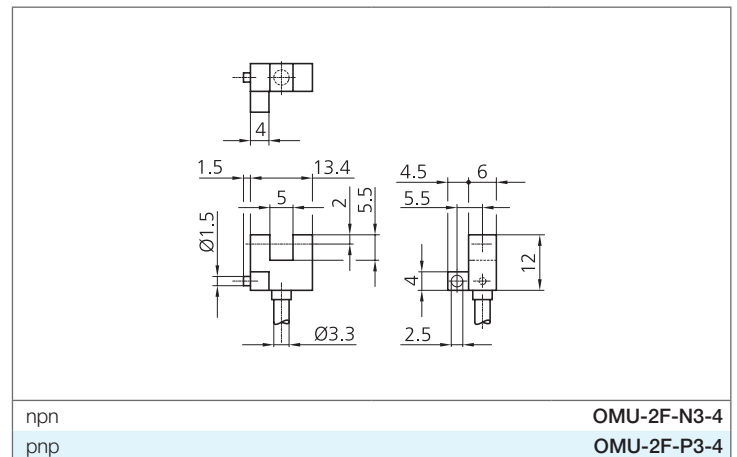
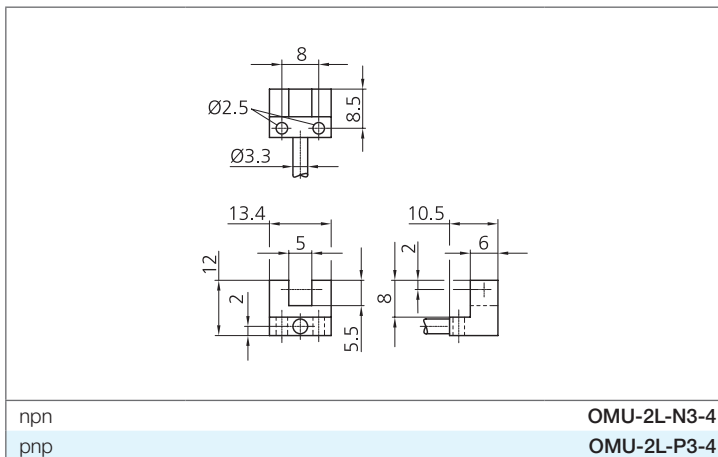
NEW
MEM

Technical data (typ.)		+20 °C, 24 VDC	
Fork opening	5,0 mm	Operating frequency	1.000 Hz
Emitted light	Infrared 940 nm	Ambient temperature	-25 ... +55 °C
Service voltage	5 ... 24 V DC ± 10%	Protection class	IP 50
Internal power consumption	15 mA	Protection degree	III, Operation on protective low voltage
Switching output	100 mA, NO/NC	Casing material	PC
Resolution	1,2x0,8 mm (OMU-2)	Connection	Cable (OMU-2)
	2,0x0,8 mm (OMU-3)		Connector or Cable (OMU-3)

Connection diagram



BN = Brown BK = Black BU = Blue WH = White



SOLUTIONS. CLEVER. PRACTICAL.

**di-soric
GmbH & Co. KG**

Steinbeisstraße 6
73660 Urbach
Germany

Tel: +49 71 81 98 79-0
Fax: +49 71 81 98 79-179

info@di-soric.com
www.di-soric.com

**di-soric
International**

di-soric GmbH & Co. KG | Germany
di-soric Solutions GmbH & Co. KG | Germany
di-soric Austria GmbH & Co. KG | Austria
di-soric SAS | France
di-soric SNT AG | Switzerland
di-soric Pte. Ltd. | Singapore

www.di-soric.com/international