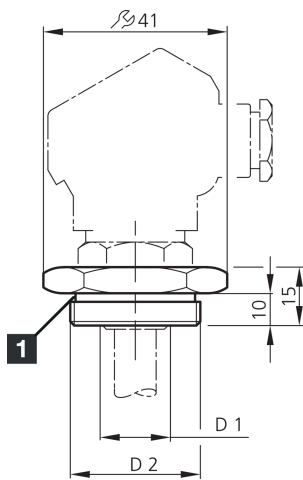
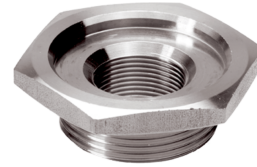



200000
AKFS 18/1
Adapter M18 to R1



1) O-ring, not included in delivery

Technical data (typ.)

+20°C, 24 V DC

Thread

D1: M18 x 1

Thread

D2: R1"

Housing material

Stainless steel (V2A 1.4301 / AISI 304)

More information / accessories

<https://www.di-soric.com/200000>