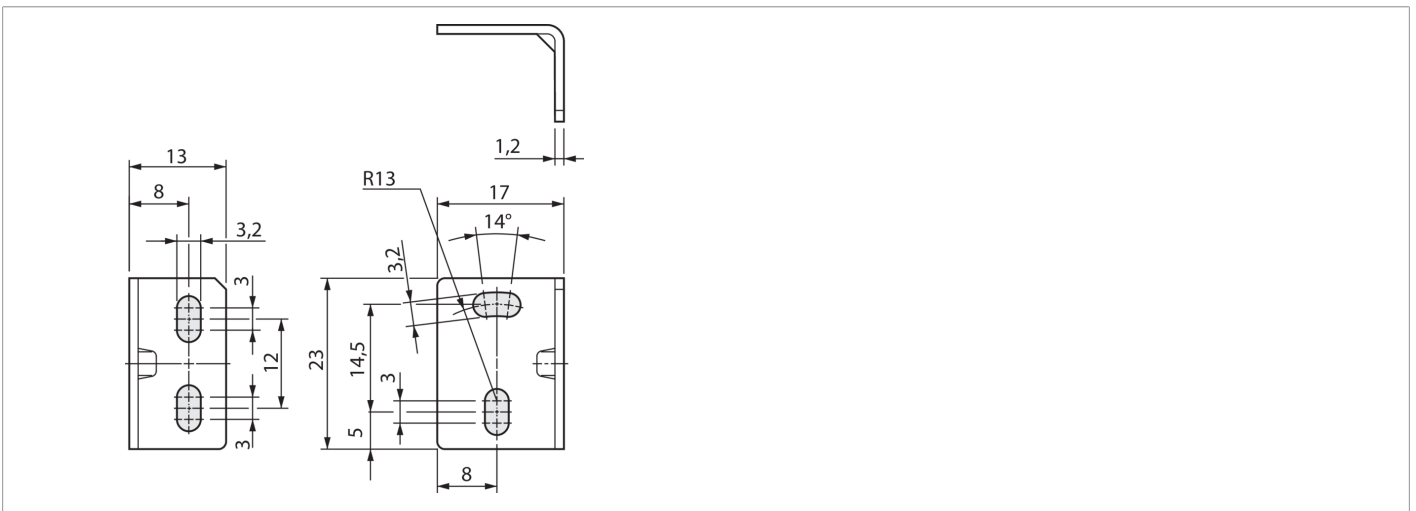
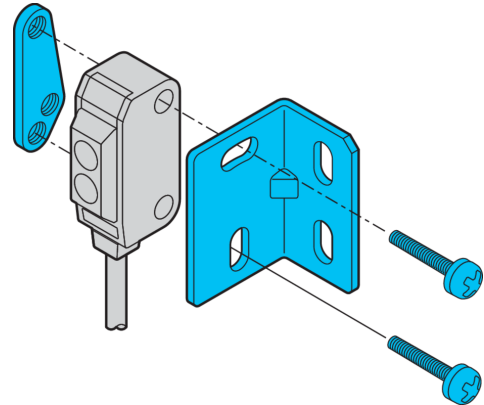




200025
BW 22/22
Mounting bracket

- Adjustable
- Robust design



Function											
										CE	

Technical data (typ.)	
Hole spacing	13 / 16 mm
Mounting	Hole / slotted
Mounting diameter	Ø 3.2 mm
Housing material	Stainless steel (V2A 1.4301 / AISI 304)
Component	Mounting bracket
To be used for	Device series O-20 Miniature
Scope of delivery	Mounting bracket, Fixing material

More information / accessories	https://www.di-soric.com/200025
--------------------------------	---