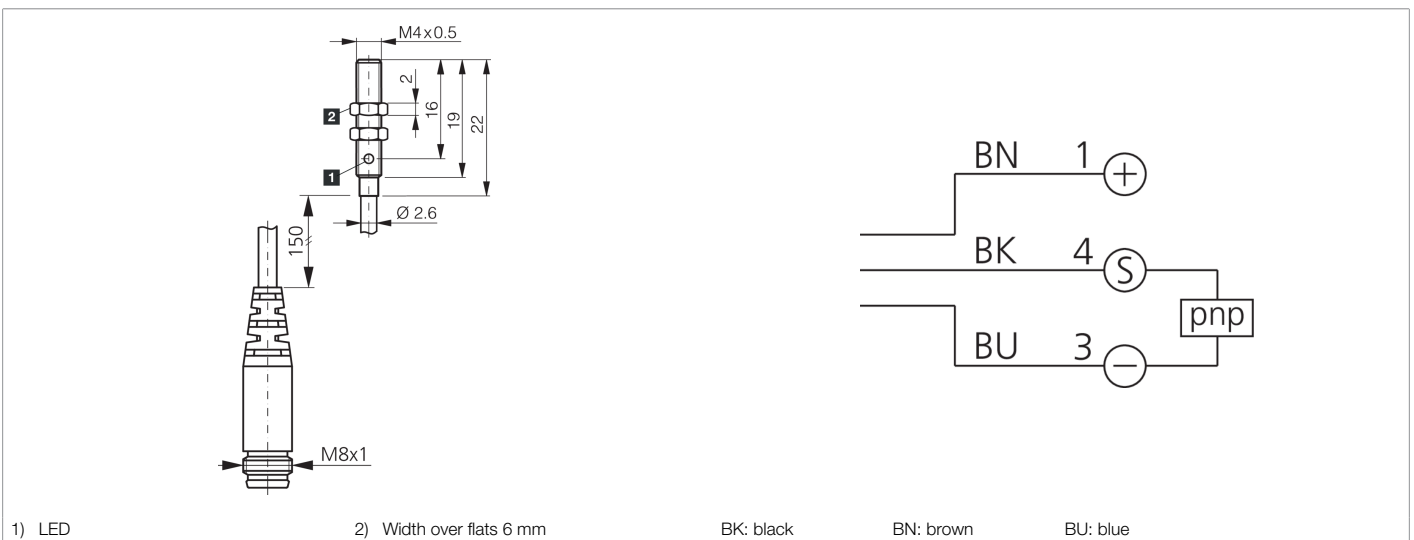




**200197**  
**DCC 04 V 1.0 PSK-K-TSL**  
**Inductive proximity sensor**

- Highly flexible cable
- Metal connector
- Integrated amplifier
- Short-circuit protection
- Starting pulse suppression
- LED



**Function**

--	--	--	--	--	--	--	--	--	--

**Technical data (typ.)**

**+20°C, 24 V DC**

Service voltage	10 ... 30 V DC
Internal power consumption	< 10 mA
Insulation voltage endurance	According to IEC 60947-5-2 (7.2.3.1)
Installation type	Flush
Thread	M4 x 0.5
Housing length	22 mm
Housing material	Stainless steel (V2A)
Material of cable	Polyurethane
Tightening torque	0.8 Nm
Protection class	III, operation on protective low voltage
Operating principle	inductive
Evaluation	digital
Design	Thread
Characteristics	increased operating distance
Product series	INM-300 Miniature Extended
Switching output	pnp, 100 mA, NO
Voltage drop (max.)	2 V (100 mA)
Switching distance (SN)	1 mm
Standardized measuring plate	4 x 4 x 1 mm
Switching hysteresis (max.)	< 10 %



**200197**  
**DCC 04 V 1.0 PSK-K-TSL**  
**Inductive proximity sensor**

<b>Technical data (typ.)</b>	<b>+20°C, 24 V DC</b>
Switching frequency	3000 Hz
Ambient temperature during operation	-25 ... +70 °C
Protection type	IP 67
Connection	Pigtail, 0.15 m, M8, 3-pin, A-coded
Connection cable	TK ...
<b>More information / accessories</b>	<b><a href="https://www.di-soric.com/200197">https://www.di-soric.com/200197</a></b>