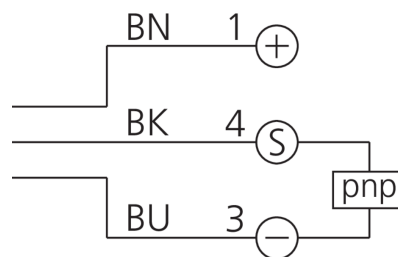
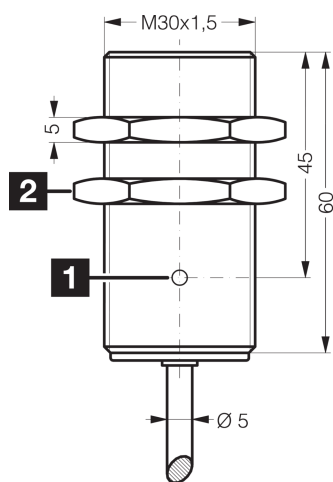


200379
DCC 30 M 22 PSLK
Inductive proximity sensor

- Highly flexible cable
- Integrated amplifier
- Short-circuit protection
- Starting pulse suppression
- LED



1) LED

2) Width over flats 36 mm

BK: black

BN: brown

BU: blue

Function



Technical data (typ.)

+20°C, 24 V DC

| | |
|------------------------------|--|
| Service voltage | 10 ... 30 V DC |
| Internal power consumption | < 10 mA |
| Insulation voltage endurance | 500 V |
| Installation type | quasi-flush |
| Thread | M30 x 1.5 |
| Housing length | 60 mm |
| Housing material | Brass (chromium-plated) |
| Material of cable | PVC |
| Protection class | III, operation on protective low voltage |
| Operating principle | inductive |
| Evaluation | digital |
| Design | Thread |
| Characteristics | extremely high operating distance |
| Product series | INE Extended |
| Switching output | pnp, 200 mA, NO |
| Voltage drop (max.) | 2 V (200 mA) |
| Switching distance (SN) | 22 mm |
| Standardized measuring plate | 66 x 66 x 1 mm |
| Switching hysteresis (max.) | 3 ... 15 % |
| Switching frequency | 200 Hz |



200379
DCC 30 M 22 PSLK
Inductive proximity sensor

Technical data (typ.)

+20°C, 24 V DC

Ambient temperature during operation

-25 ... +70 °C

Protection type

IP 67

Connection

Cable, 2.0 m (flying leads)

More information / accessories

<https://www.di-soric.com/200379>