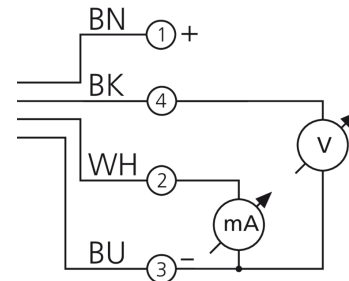
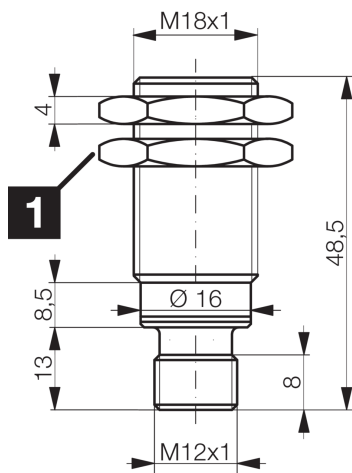




**200484**  
**DCCK 18 M 10/10 AIK-IBS**  
**Inductive proximity sensor**

- Analog voltage output
- Analog current output
- Metal connector
- Integrated amplifier
- Short-circuit protection



1) Width over flats 24 mm

BK: black

BN: brown

BU: blue

WH: white

**Function**



**Technical data (typ.)**

**+20°C, 24 V DC**

Service voltage	15 ... 30 V DC
Internal power consumption	12 mA
Insulation voltage endurance	According to IEC 60947-5-2 (7.2.3.1)
Installation type	quasi-flush
Thread	M18 x 1
Housing length	48.5 mm
Housing material	Brass (CuZn, nickel-plated)
Tightening torque	25 Nm
Protection class	III, operation on protective low voltage
Operating principle	inductive
Evaluation	analog
Design	Thread
Characteristics	extremely high operating distance
Product series	INA Analog
Analog output	0 ... 10 V, 4 ... 20 mA
Switching distance (SN)	0 ... 10 mm
Standardized measuring plate	30 x 30 x 1 mm
Switching frequency	500 Hz
Ambient temperature during operation	-25 ... +70 °C
Protection type	IP 67



**200484**

**DCCK 18 M 10/10 AIK-IBS**

**Inductive proximity sensor**

**Technical data (typ.)**

**+20°C, 24 V DC**

Connection

Connector, M12, 4-pin, A-coded

Connection cable

VK ...

**More information / accessories**

<https://www.di-soric.com/200484>