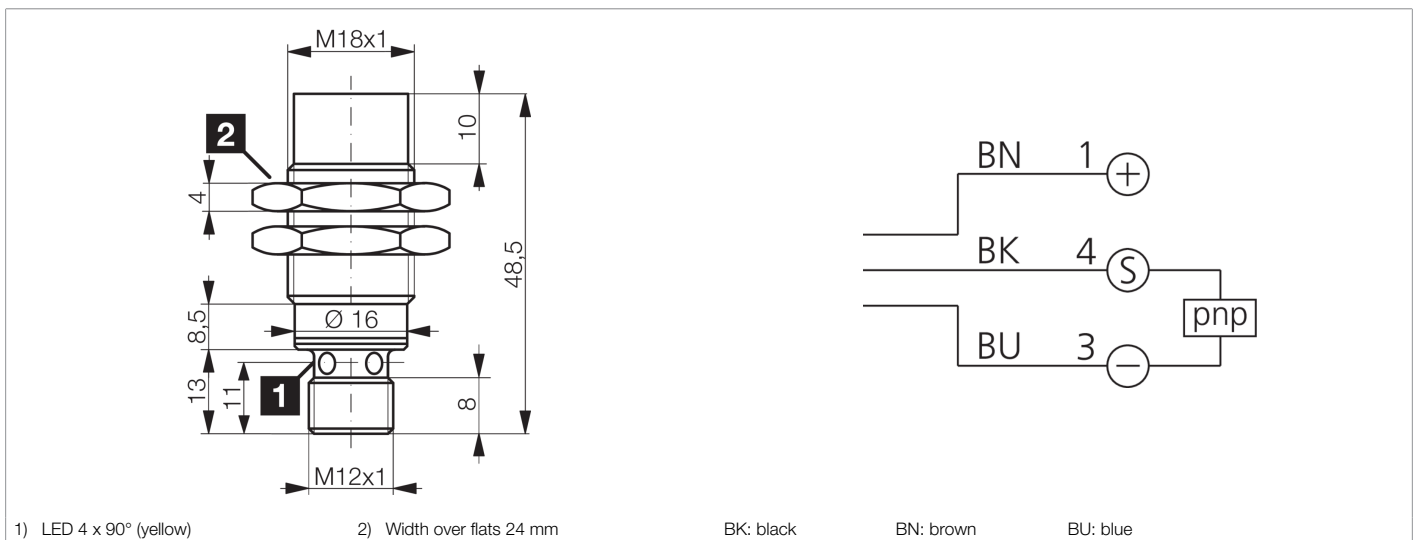




200487
DCCK 18 M 20 PSK-IBSL
Inductive proximity sensor

- Metal connector
- Integrated amplifier
- Short-circuit protection
- Starting pulse suppression
- LED



Function										

Technical data (typ.)	+20°C, 24 V DC
Service voltage	10 ... 30 V DC
Internal power consumption	< 10 mA
Insulation voltage endurance	According to IEC 60947-5-2 (7.2.3.1)
Installation type	non-flush
Thread	M18 x 1
Housing length	48.5 mm
Housing material	Brass (chromium-plated)
Protection class	III, operation on protective low voltage
Operating principle	inductive
Evaluation	digital
Design	Thread
Characteristics	extremely high operating distance
Product series	INE Extended
Switching output	pnp, 200 mA, NO
Voltage drop (max.)	2 V (200 mA)
Switching distance (SN)	20 mm
Standardized measuring plate	60 x 60 x 1 mm
Switching hysteresis (max.)	< 3 ... 15 %
Switching frequency	500 Hz
Ambient temperature during operation	-25 ... +70 °C



200487

DCCK 18 M 20 PSK-IBSL

Inductive proximity sensor

Technical data (typ.)

+20°C, 24 V DC

Protection type

IP 67

Connection

Connector, M12, 4-pin, A-coded

Connection cable

VK ...

More information / accessories

<https://www.di-soric.com/200487>