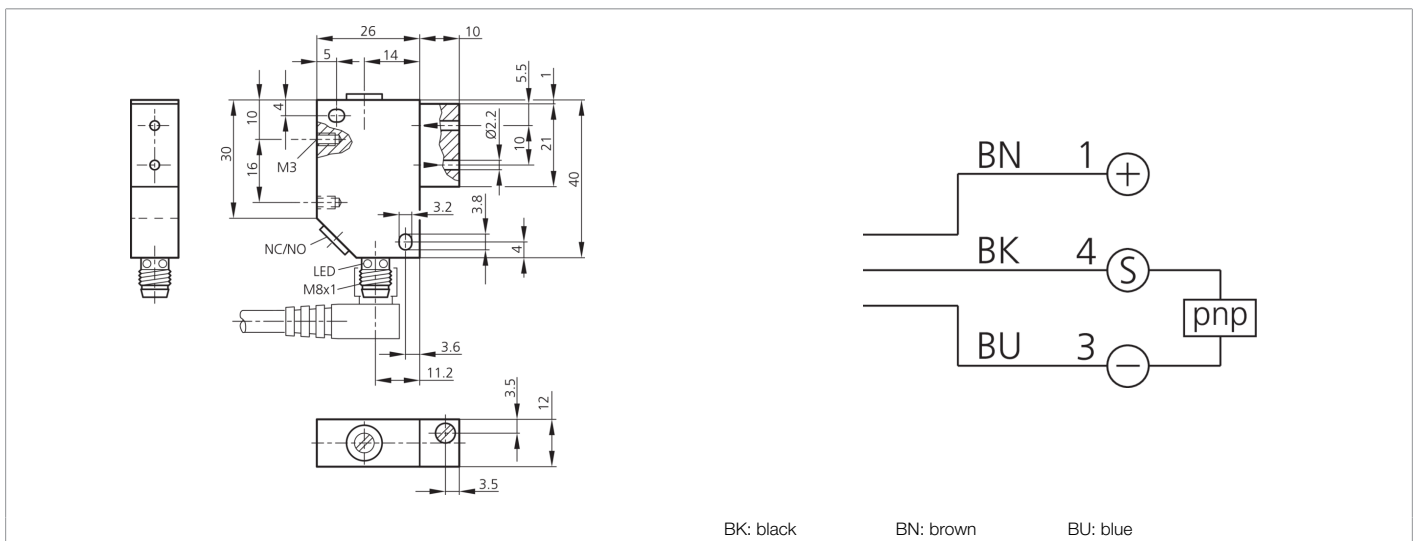




201460
OLVK 41 P3K-TSSL
Plastic fiber-optic amplifier

- Angled optics
- Easy to install
- Red light
- Sensitivity is adjustable
- High switching frequency
- Light/dark switching
- Protection against short-circuit and reverse polarity



| Function | | | | | | | | | | |
|----------|--|--|--|--|--|--|--|--|--|--|
| | | | | | | | | | | |

| Technical data (typ.) | +20°C, 24 V DC |
|------------------------------|--|
| Service voltage | 12 ... 35 V DC |
| No-load current (max.) | 36 mA |
| Insulation voltage endurance | 500 V |
| Housing length | 36 mm |
| Housing height | 40 mm |
| Housing width | 12 mm |
| Housing material | Plastic (PE) |
| Protection class | III, operation on protective low voltage |
| Amplifier for | 2X2.2 mm plastic fiber optics |
| Evaluation | digital |
| Design | Cuboid design |
| Switching output | pnp, 200 mA, NO/NC, switchable |
| Voltage drop (max.) | 2 V |
| Light source | LED |
| Color | Red |
| Wavelength | 660 nm |
| Modulation | Clocked |
| Ambient light immunity | 30 kLx |
| Switching hysteresis (max.) | 15 % |
| Sensitivity adjustment | Potentiometer |



201460
OLVK 41 P3K-TSSL
Plastic fiber-optic amplifier

| | |
|---------------------------------------|--|
| Technical data (typ.) | +20°C, 24 V DC |
| Switching frequency | 750 Hz |
| Response time | 0.10 ms |
| Release time | 2.0 ms |
| Ambient temperature during operation | 0 ... +60 °C |
| Temperature drift | 0.3 %/K |
| Protection type | IP 65 |
| Connection | Connector, M8, 3-pin |
| More information / accessories | https://www.di-soric.com/201460 |