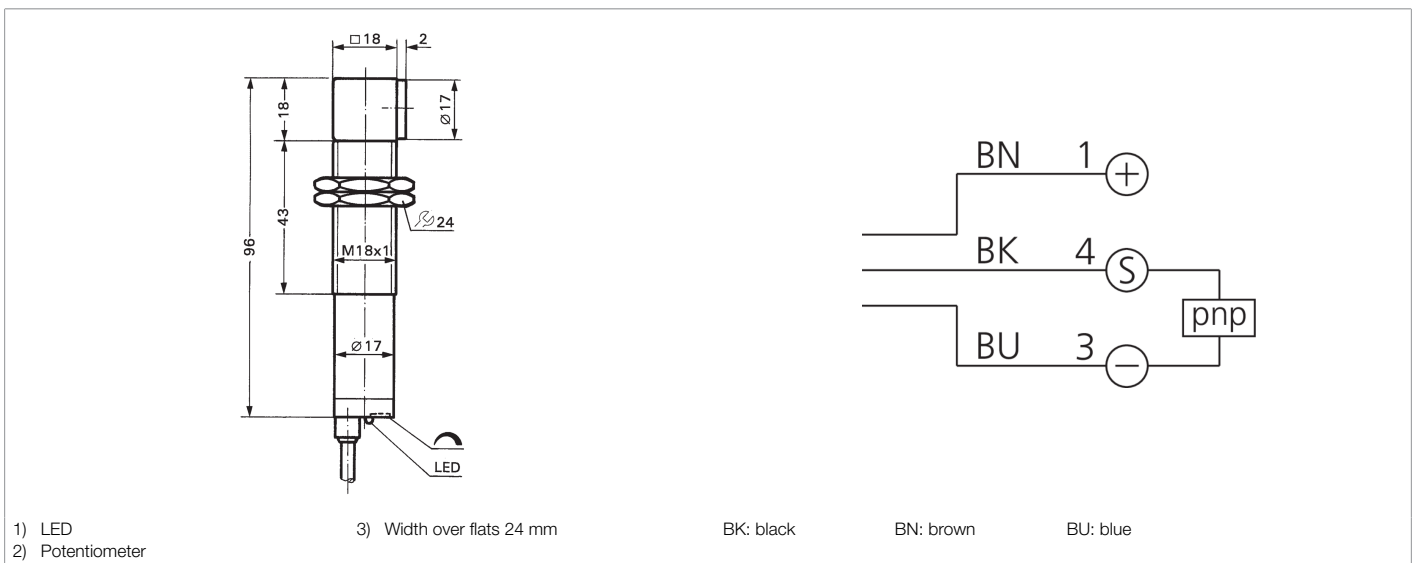




201786
US 18 KR 700 PSLK
Ultrasonic sensor

- Robust housing
- Working range adjustable
- Resistant to dirt
- Insensitive to ambient noise
- Measuring does not depend on surface
- High follow-up speed
- High resolution
- Piezo-ceramic composite transducer



Function

											CE
--	--	--	--	--	--	--	--	--	--	--	-----------

Technical data (typ.)	+20°C, 24 V DC
Service voltage	18 ... 33 V DC
No-load current (max.)	45 mA
Insulation voltage endurance	500 V
Thread	M18 x 1
Housing material	Plastic (PA)
Protection class	III, operation on protective low voltage
Operating principle	Ultrasonic sensor
Evaluation	digital
Design	Thread
Switching output	pnp, 100 mA, NO
Switching distance	160 ... 700 mm
Switching hysteresis (max.)	30 ... 40 mm
Accuracy	< 2 % (Sn max.)
Ultrasonic frequency	180 kHz
Switching frequency	25 Hz
Response time	50 ms
Ambient temperature during operation	-20 ... +50 °C
Temperature drift	4 mV/K
Protection type	IP 67
Connection	Cable, 2.0 m



201786
US 18 KR 700 PSLK
Ultrasonic sensor

[More information / accessories](#)

<https://www.di-soric.com/201786>