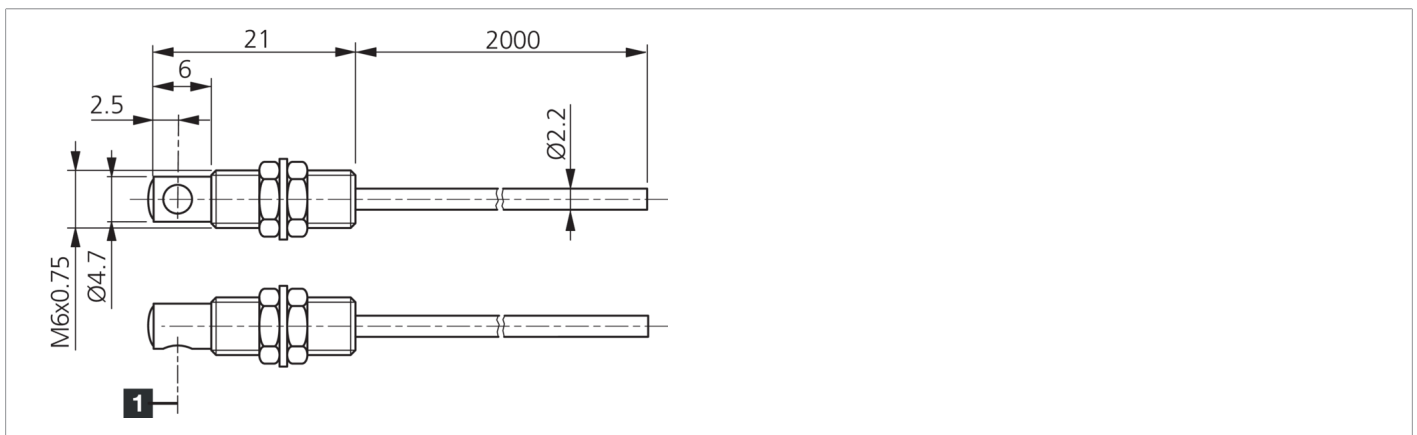
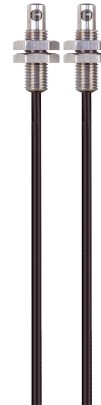




202353
WRBE 2000 KR-M6-1.0
Plastic fiber optics

- Lateral light emission
- Long range



Technical data (typ.)		+20°C
Length		2,000 mm
Thread		M6 x 0.75
Light aperture		radial
Bending radius		> 25 mm
Material of fiber		PMMA
Material		<ul style="list-style-type: none"> ■ Nickel-plated brass (Thread sleeve) ■ PE (Coating)
Operating principle		Through-beam sensor
Design		Thread
Single fiber-optics		Ø 2.2 mm
Single fiber		Ø 1.0 mm (151 x 0.075 mm)
To be used for		Device series OLV-K Amplifier
Opening angle		56°
Range		1700 mm
Temperature resistance		-25 ... +70 °C
More information / accessories		https://www.di-soric.com/202353