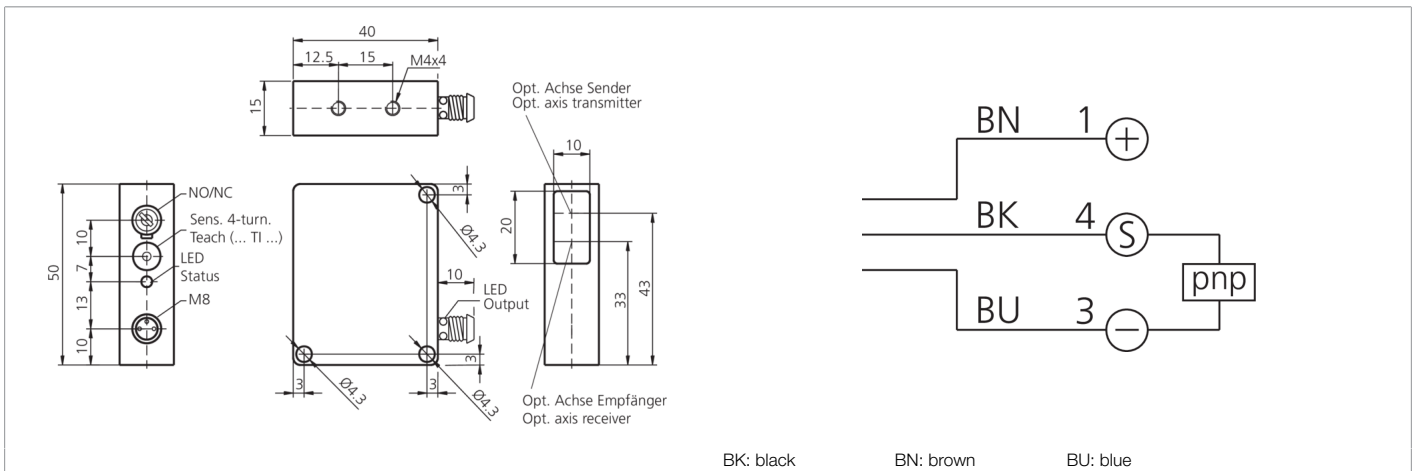




202509
LRV 51 M 10000 P3K-TSSL
Laser retroreflective sensor

- Collimated red-light laser
- Small laser spot and small reflector
- 4-turn potentiometer
- Polarization filter
- High switching frequency
- Bright LED, Connector M8 with ring LED
- Light/dark switching
- Functional reserve indicator/contamination indicator
- Robust metal housing



Function



Technical data (typ.)	+20°C, 24 V DC
Service voltage	10 ... 35 V DC
No-load current (max.)	40 mA
Insulation voltage endurance	500 V
Housing dimensions	50 x 40 x 15 mm
Housing length	40 mm
Housing height	50 mm
Housing width	15 mm
Housing material	Die-cast zinc (Black, painted)
Material	PMMA (Window)
Protection class	III, operation on protective low voltage
Operating principle	Retroreflective sensor
Evaluation	digital
Design	Cuboid design
Switching output	pnp, 200 mA, NO/NC, switchable
Voltage drop (max.)	2.8 V
Light source	Laser
Laser class	1 (IEC 60825-1)
Color	red
Wavelength	650 nm
Modulation	Clocked
Ambient light immunity	5 kLx
Range	10000 mm

**202509****LRV 51 M 10000 P3K-TSSL****Laser retroreflective sensor**

Technical data (typ.)	+20°C, 24 V DC
Resolution	Ø 2.5 mm
Referring reflector	RL 42 x 35 mm (included)
Switching hysteresis (max.)	200 µm
Reproducibility	0.1 mm
Sensitivity adjustment	Potentiometer
Switching frequency	2000 Hz
Response time	2.5 ms
Release time	2.5 ms
Ambient temperature during operation	0 ... +50 °C
Protection type	IP 67
Connection	Connector, M8, 3-pin
Connection cable	TK ...
More information / accessories	https://www.di-soric.com/202509