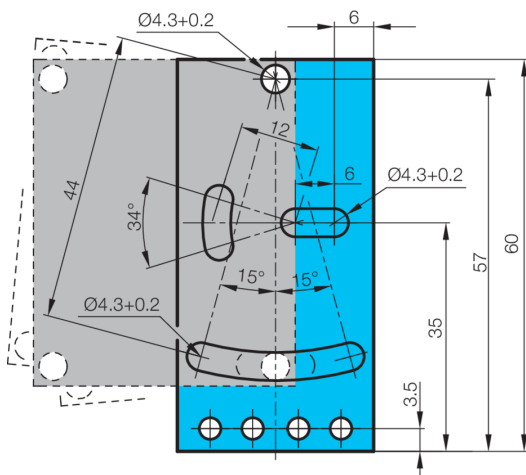
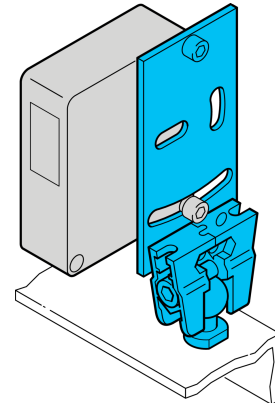


202810
SHB-S50
Sensor holder

- Set includes adapter plate and ball joint
- Universal mounting options
- Stepless adjustment
- For quick and easy mounting of sensors
- Central ball joint locking
- Stainless steel / steel galvanized



Technical data (typ.)

Mounting

Housing material

Component

To be used for

Scope of delivery

+20°C

Threaded bolt M6 x 10

Steel (galvanized)

Sensor holder (ball joint)

Device series O-50 Metal

Sensor holder, Ball joint, Fixing material

More information / accessories

<https://www.di-soric.com/202810>