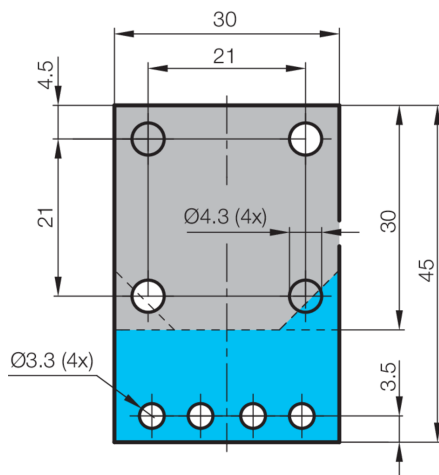
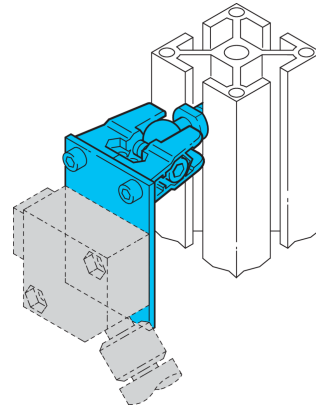


202812
SHB-S30
Sensor holder

- Set includes adapter plate and ball joint
- Universal mounting options
- Stepless adjustment
- For quick and easy mounting of sensors
- Central ball joint locking
- Stainless steel / steel galvanized



Technical data (typ.)

Mounting	+20°C Threaded bolt M6 x 10
Housing material	Steel (galvanized)
Component	Sensor holder (ball joint)
To be used for	Device series O-30 Universal
Scope of delivery	Sensor holder, Ball joint, Fixing material

More information / accessories

<https://www.di-soric.com/202812>