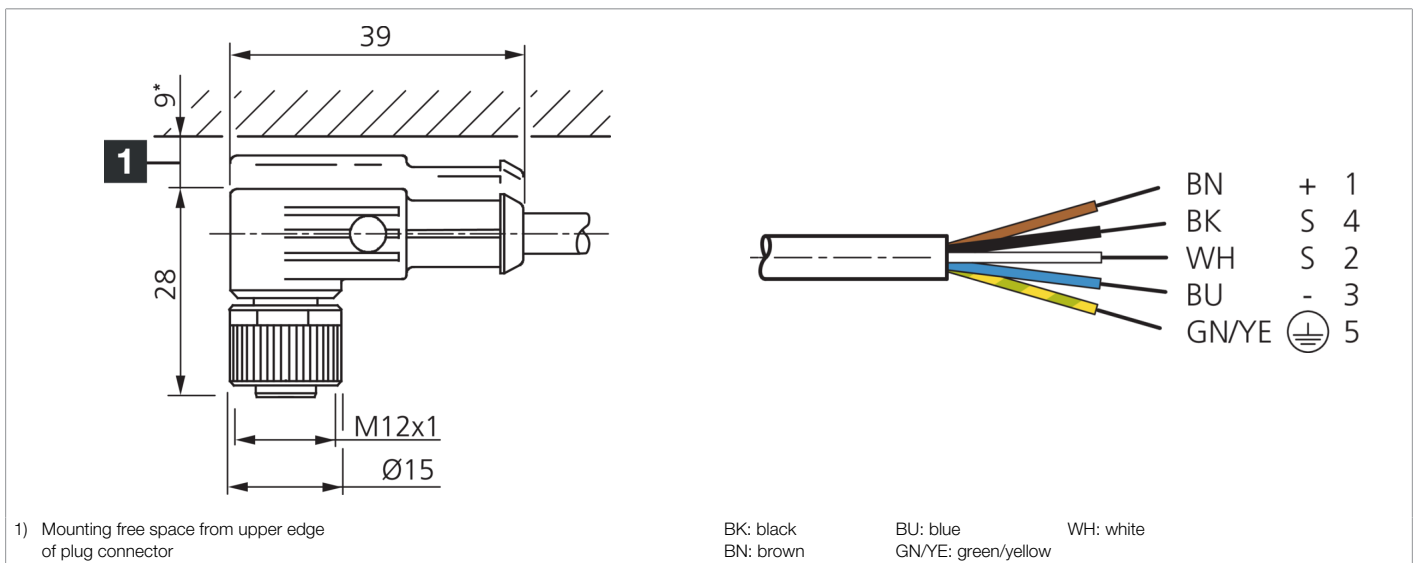




202943
VKHM-W-10/5
Connection cable

- Drag chain compatible
- Sturdy metal union nut
- Durable PU coating
- Flexible lead design
- Good stripping properties
- High protection type
- Gold-plated plug-in contacts



| Function | | | | | | | | | | | |
|----------|--|--|--|--|--|--|--|--|--|----|--|
| | | | | | | | | | | CE | |

| Technical data (typ.) | |
|--------------------------------------|--|
| Service voltage | < 125 V AC/DC |
| Length | 10,000 mm |
| Diameter | Ø 5.9 mm (Diameter) |
| Thread | M12 |
| Material of cable | Polyurethane |
| Drag chain properties | 90 mm (Min. bending radius) |
| Protection class | III, operation on protective low voltage |
| Design | Angled / open cable end |
| Characteristics | Metal nut |
| Drag chain compatible | Yes |
| LED Anzeige | No |
| Ambient temperature during operation | -5 ... +80 °C (Movable, Fixed) |
| Protection type | IP 67 |
| Connection | Socket, M12, 5-pin, A-coded |
| Cross-section | 0.34 mm ² (5 x) |

More information / accessories <https://www.di-soric.com/202943>