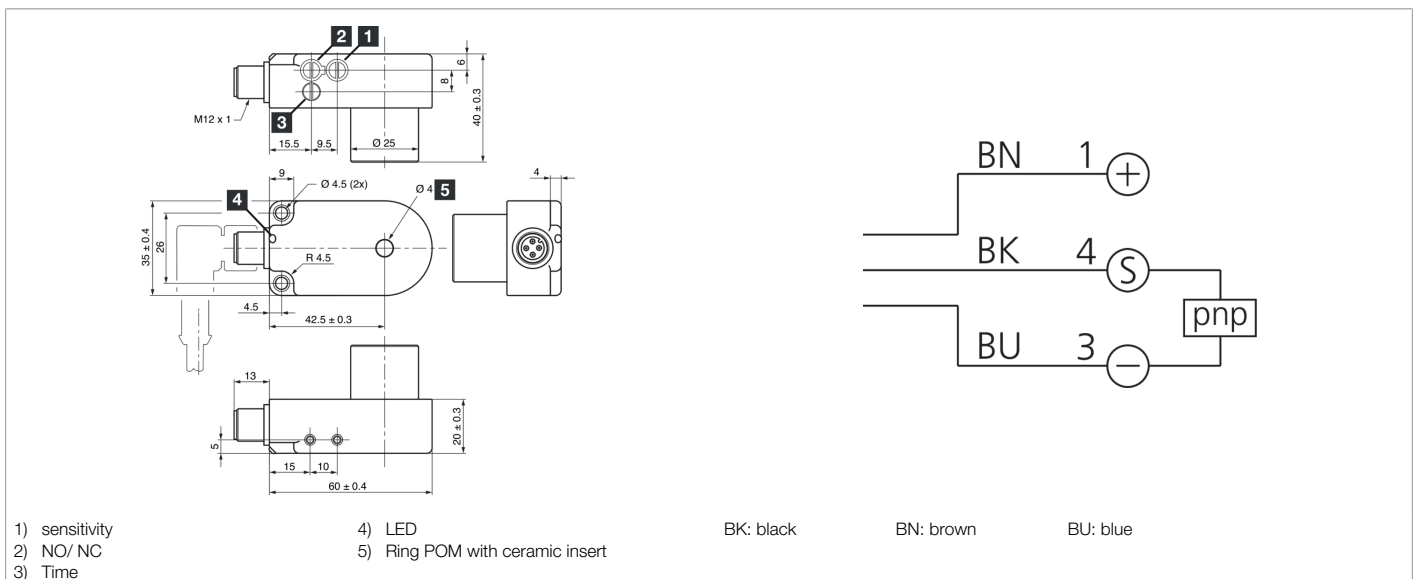


203040
IRDB 4 PSOK-IBS
Inductive wire break sensor

- Compact design
- Wear-resistant ceramic insert
- High resolution
- Short response time
- Pulse stretching adjustable
- Static operating principle
- Resistant to dirt
- Metal connector
- High protection type



Function										

Technical data (typ.)		+20°C, 24 V DC
Service voltage		10 ... 35 V DC (Supply Class 2)
No-load current (max.)		11 mA
Insulation voltage endurance		1000 V
Internal diameter		4.0 mm
Assembly distance to metal (min.)		5 mm
Housing material		Plastic (PA)
Material		<ul style="list-style-type: none"> ■ POM (Ring) ■ Ceramic (Socket)
Protection class		III, operation on protective low voltage
Approvals		UL
Operating principle		inductive
Evaluation		Static
Switching output		pnp, 200 mA, NO/NC, switchable
Voltage drop (max.)		2 V
Pulse stretching		10 ... 150 ms adjustable
Resolution		Ø 0.2 mm (Copper wire)
Sensitivity adjustment		Potentiometer
Speed of parts (max.)		35 m/s
Response time		0.50 ms



203040
IRDB 4 PSOK-IBS
Inductive wire break sensor

Technical data (typ.)	+20°C, 24 V DC
Release time	10 ms
Ambient temperature during operation	-25 ... +70 °C
Protection type	IP 67
Connection	Connector, M12, 4-pin, A-coded
Connection cable	VK ...
More information / accessories	https://www.di-soric.com/203040