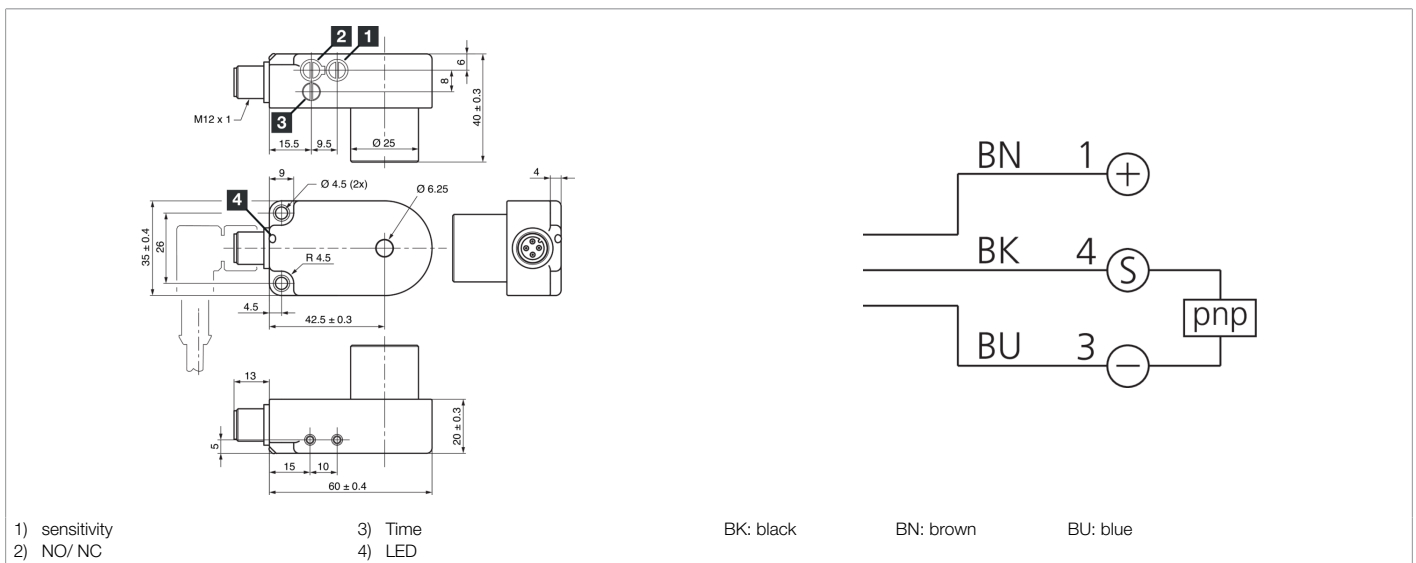


**203408**  
**IRDBD 6 PSOK-IBS**  
**Inductive wire break sensor**

- Compact design
- High resolution
- Short response time
- Pulse stretching adjustable
- Dynamic operating principle
- Resistant to dirt
- Metal connector
- High protection type



Function										

Technical data (typ.)	+20°C, 24 V DC
Service voltage	10 ... 35 V DC (Supply Class 2)
No-load current (max.)	20 mA
Insulation voltage endurance	1000 V
Internal diameter	6.1 mm
Assembly distance to metal (min.)	2 mm
Housing material	Plastic (PA)
Material	POM (Ring)
Protection class	III, operation on protective low voltage
Operating principle	inductive
Evaluation	Dynamic
Switching output	pnp, 200 mA, NO/NC, switchable
Voltage drop (max.)	2 V
Pulse stretching	0.1 ... 150 ms adjustable
Resolution	Ø 0.1 mm (Copper wire)
Sensitivity adjustment	Potentiometer
Speed of parts (max.)	35 m/s
Response time	0.20 ms
Release time	0.20 ms
Ambient temperature during operation	-25 ... +70 °C
Protection type	IP 67



203408

IRDBD 6 PSOK-IBS

Inductive wire break sensor

**Technical data (typ.)**

**+20°C, 24 V DC**

Connection

Connector, M12, 4-pin, A-coded

Connection cable

VK ...

**More information / accessories**

<https://www.di-soric.com/203408>