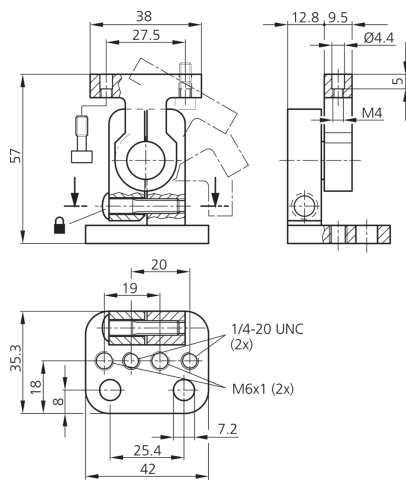
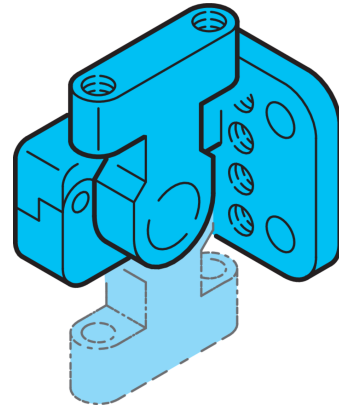




203452
CKR-200-BKT
Adjustable fixing bracket

- Adjustable bracket for mounting the checker,
- Stepless adjustment
- Holes for mounting to metric or inch-threads
- Robust design



Technical data (typ.)

Housing material

Component

To be used for

Product series

+20°C

Aluminum (Black, Anodized)

Sensor holder

Vision Sensors CKR ..., Vision Sensors CxG ..., CS 50 Vision Sensors ... / SH-G-CS

CS-Z accessories for vision sensors

More information / accessories

<https://www.di-soric.com/203452>