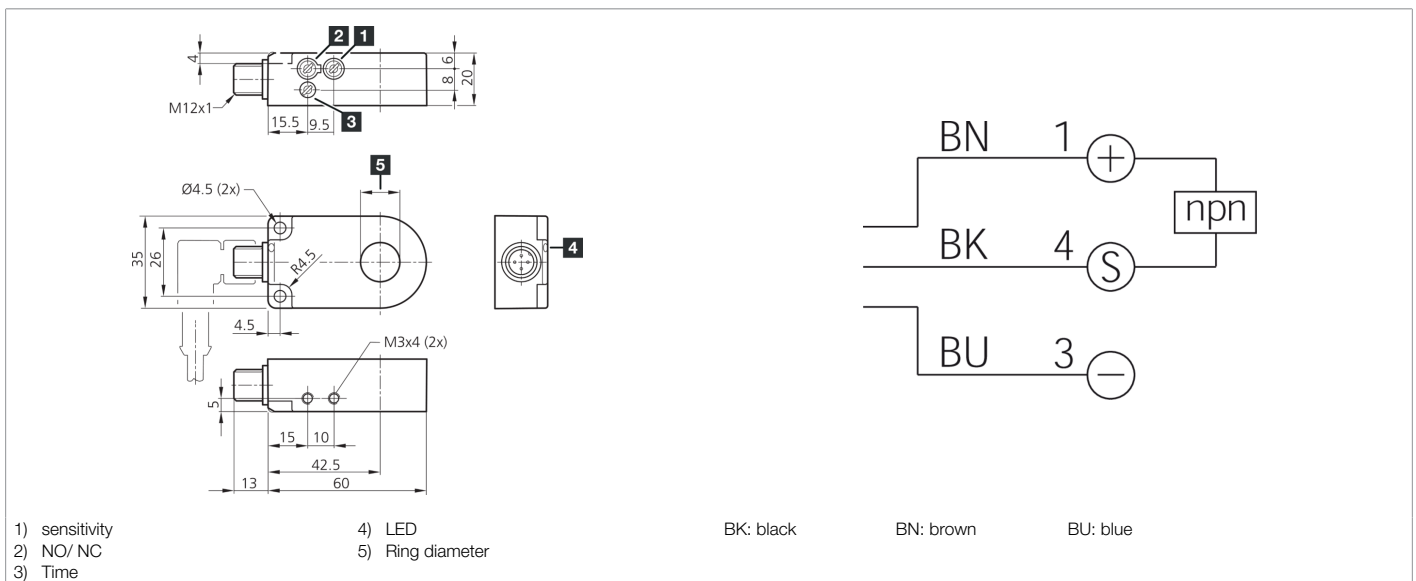




**203742**  
**IR 10 NSOK-IBS**  
**Inductive ring sensor**

- High resolution
- Short response time
- Sensitivity and pulse stretching adjustable
- Resistant to dirt
- Static operating principle
- Metal connector
- High protection type



Function									

Technical data (typ.)		+20°C, 24 V DC
Service voltage		10 ... 35 V DC (Supply Class 2)
No-load current (max.)		11 mA
Insulation voltage endurance		1000 V
Internal diameter		10.1 mm
Assembly distance to metal (min.)		5 mm
Housing material		Plastic (PA)
Material		POM (Ring)
Protection class		III, operation on protective low voltage
Approvals		UL
Operating principle		inductive
Evaluation		Static
Switching output		npn, 200 mA, NO/NC, switchable
Voltage drop (max.)		2 V
Pulse stretching		10 ... 150 ms adjustable
Resolution		Ø 1.5 mm
Sensitivity adjustment		Potentiometer
Speed of parts (max.)		35 m/s
Response time		0.50 ms
Release time		10 ms



203742

IR 10 NSOK-IBS

Inductive ring sensor

<b>Technical data (typ.)</b>	<b>+20°C, 24 V DC</b>
Ambient temperature during operation	-25 ... +70 °C
Protection type	IP 67
Connection	Connector, M12, 4-pin, A-coded
Connection cable	VK ...
<b>More information / accessories</b>	<b><a href="https://www.di-soric.com/203742">https://www.di-soric.com/203742</a></b>