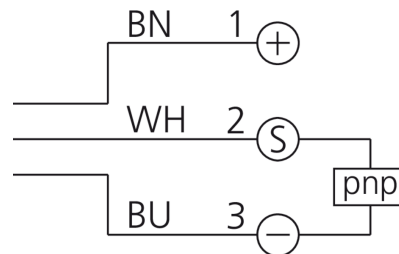
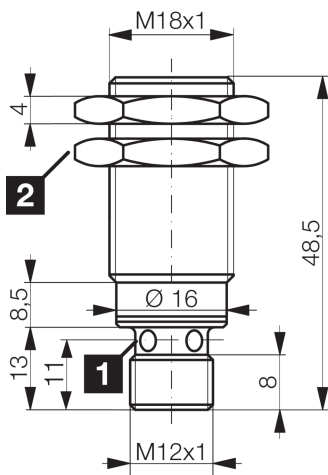




**203864**  
**DCCK 18 M 12 POK-IBSL**  
**Inductive proximity sensor**

- Metal connector
- Integrated amplifier
- Short-circuit protection
- Starting pulse suppression
- LED



1) LED 4 x 90° (yellow)

2) Width over flats 24 mm

BN: brown

BU: blue

WH: white

**Function**



**Technical data (typ.)**

**+20°C, 24 V DC**

Service voltage	10 ... 30 V DC
Internal power consumption	< 10 mA
Insulation voltage endurance	According to IEC 60947-5-2 (7.2.3.1)
Installation type	quasi-flush
Thread	M18 x 1
Housing length	48.5 mm
Housing material	Brass (chromium-plated)
Protection class	III, operation on protective low voltage
Operating principle	inductive
Evaluation	digital
Design	Thread
Characteristics	extremely high operating distance
Switching output	pnp, 200 mA, NC
Voltage drop (max.)	2 V (200 mA)
Switching distance (SN)	12 mm
Standardized measuring plate	36 x 36 x 1 mm
Switching hysteresis (max.)	< 3 ... < 15 %
Switching frequency	600 Hz
Ambient temperature during operation	-25 ... +70 °C
Protection type	IP 67

 203864

DCCK 18 M 12 POK-IBSL

Inductive proximity sensor

**Technical data (typ.)****+20°C, 24 V DC**

Connection

Connector, M12, 4-pin, A-coded

Connection cable

VK ...

**More information / accessories**<https://www.di-soric.com/203864>