

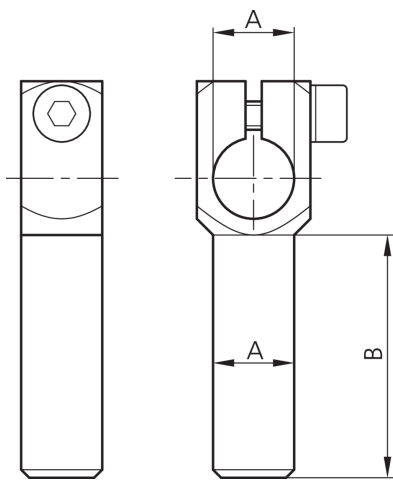
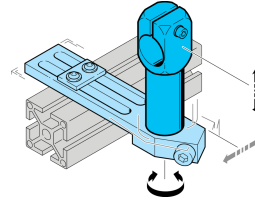


203896

SH-WKA-14-14-80

Angle arm

- Highly flexible versatile mounting system
- Universal mounting
- Stepless adjustment
- Robust design



Technical data (typ.)

Diameter	+20°C A: 14 mm
Dimension	B: 80 mm
Housing material	Metal
Component	Angle arm
To be used for	Clamping pin 14 mm
Product series	Z-UBT-KL-MS Assembly system

More information / accessories

<https://www.di-soric.com/203896>