

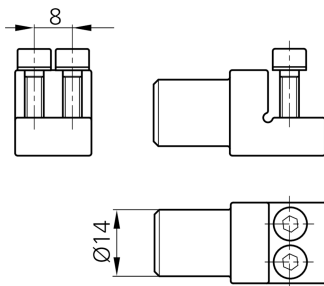
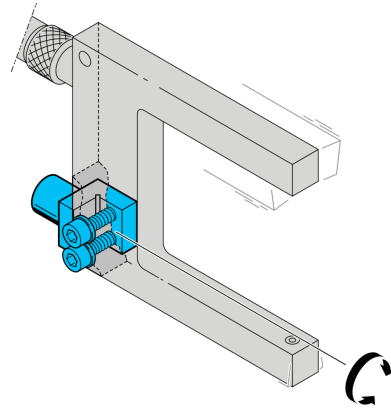


203910

SH-UGU-08-14

Sensor holder for fork light barriers

- Highly flexible versatile mounting system
- Universal mounting
- Stepless adjustment
- Robust design



Technical data (typ.)

Diameter	+20°C A: 14 mm
Housing material	Plastic
Component	Sensor holder
To be used for	Clamping pin 14 mm
Product series	Z-UBT-KL-PH Product bracket
Scope of delivery	Sensor holder, Fixing material

More information / accessories

<https://www.di-soric.com/203910>