

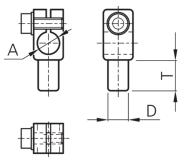
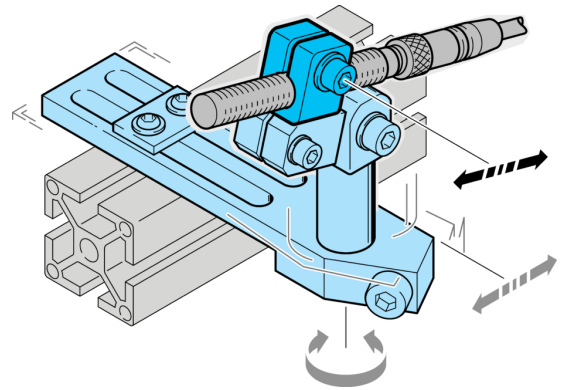


203914

SH-5-10

Sensor holder Ø 5mm

- Highly flexible versatile mounting system
- Universal mounting
- Stepless adjustment
- Robust design



A	D	T	
4	10	16	SH-4-10
5	10	16	SH-5-10
6,5	10	16	SH-6.5-10
8	10	16	SH-8-10
12	10	16	SH-12-10
18	14	20	SH-18-14
30	20	26	SH-30-20

Technical data (typ.)

Diameter

+20°C

A: 5.0 mm

Distance dimension

D: 10 mm

Housing material

Plastic (PA)

Component

Sensor holder

To be used for

Clamping pin 10 mm

Product series

Z-UBT-KL-PH Product bracket

More information / accessories

<https://www.di-soric.com/203914>