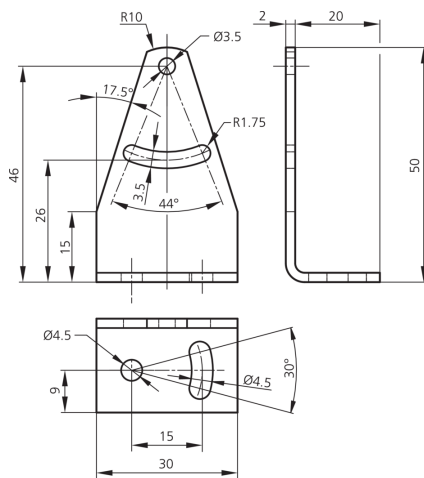
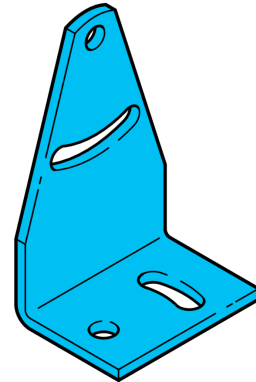




**204422**  
**BW 41**  
**Mounting bracket**

- Adjustable
- Robust design



#### Technical data (typ.)

Hole spacing	20 mm
Mounting	Hole / slotted
Mounting diameter	$\varnothing 3.5$ mm
Housing material	Metal
Component	Mounting bracket
To be used for	Device series O-40E Extended
Scope of delivery	Mounting bracket, Fixing material

#### More information / accessories

<https://www.di-soric.com/204422>