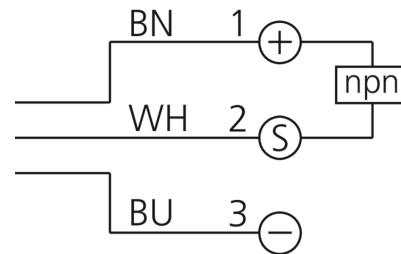
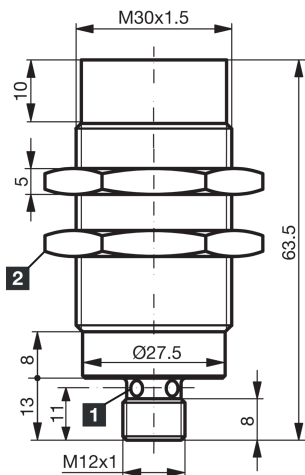
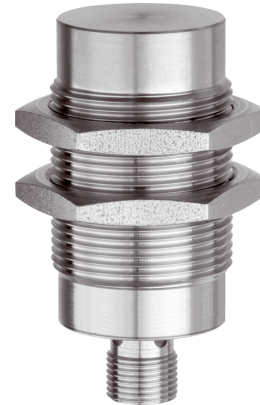




**205369**  
**D7C 30 V 40 NOK-IBSL**  
**Inductive proximity sensor**

- Closed, all-steel sleeve
- 3-times the standard operating distance
- Same operating distance to steel and aluminum
- Housing and sensing face made of stainless steel
- Insensitive to aggressive cleaning agents, environmental influences and hot filings
- Metal connector
- Integrated amplifier
- Short-circuit protection
- Starting pulse suppression
- LED



1) LED 4 x 90° (yellow)

2) Width over flats 36 mm

BN: brown

BU: blue

WH: white

**Function**



**Technical data (typ.)**

**+20°C, 24 V DC**

Service voltage	10 ... 30 V DC
Internal power consumption	< 12 mA
Insulation voltage endurance	According to IEC 60947-5-2 (7.2.3.1)
Installation type	non-flush
Thread	M30 x 1.5
Housing length	63.5 mm
Housing material	Stainless steel
Tightening torque	150 Nm
Protection class	III, operation on protective low voltage
Operating principle	inductive
Evaluation	digital
Design	Thread
Characteristics	extremely high operating distance, < 40 bar, Full-metal casing closed
Product series	INW-300 Full metal extended
Switching output	npn, 200 mA, NC
Voltage drop (max.)	2 V
Switching distance (SN)	40 mm
Standardized measuring plate	120 x 120 x 1 mm
Switching hysteresis (max.)	15 %
Switching frequency	100 Hz



205369

D7C 30 V 40 NOK-IBSL

Inductive proximity sensor

**Technical data (typ.)**

**+20°C, 24 V DC**

Ambient temperature during operation

-25 ... +70 °C

Protection type

IP 68

Connection

Connector, M12, 4-pin, A-coded

Connection cable

VK ...

**More information / accessories**

<https://www.di-soric.com/205369>