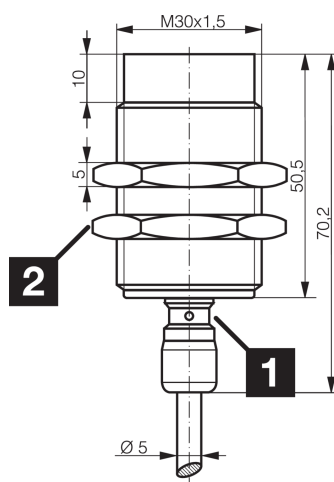




**205390**  
**DCC 30 VL 40 NSLK**  
**Inductive proximity sensor**

- For the food industry
- For saltwater applications
- Large operating distance to steel and aluminum
- Closed, all-steel sleeve
- Protection class IP 68 and IP 69K
- Connection cable made of TPE-S
- Integrated amplifier
- Short-circuit protection
- Starting pulse suppression
- LED



1) LED

2) Width over flats 36 mm

BK: black

BN: brown

BU: blue

**Function**

																						CE	
--	--	--	--	--	--	--	--	--	--	--	--	--	--	--	--	--	--	--	--	--	--	----	---

**Technical data (typ.)**

**+20°C, 24 V DC**

Service voltage	10 ... 30 V DC
No-load current (max.)	< 10 mA
Insulation voltage endurance	According to IEC 60947-5-2 (7.2.3.1)
Installation type	non-flush
Thread	M30 x 1.5
Housing length	70.2 mm
Housing material	Stainless steel (1.4435 / AISI 316L)
Material of cable	TPE-S
Tightening torque (max.)	150 Nm
Protection class	III, operation on protective low voltage
Operating principle	inductive
Evaluation	digital
Design	Thread
Characteristics	extremely high operating distance, < 40 bar, Full-metal casing closed
Product series	INW-100 Full metal
Switching output	npn, 150 mA, NO
Voltage drop (max.)	2 V
Switching distance (SN)	40 mm
Standardized measuring plate	120 x 120 x 1 mm
Switching hysteresis (max.)	15 %



**205390**

**DCC 30 VL 40 NSLK**

**Inductive proximity sensor**

**Technical data (typ.)**

**+20°C, 24 V DC**

Switching frequency

100 Hz

Ambient temperature during operation

-25 ... +85 °C

Protection type

IP 68 / IP 69K

Connection

Cable, 2.0 m (flying leads)

**More information / accessories**

<https://www.di-soric.com/205390>