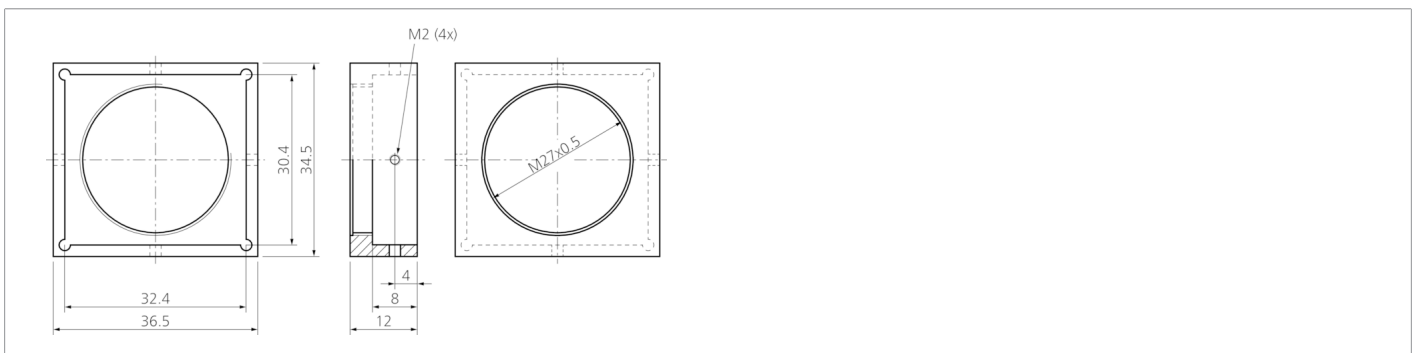
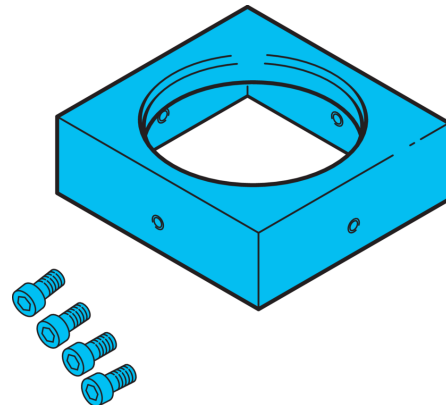




**206973**  
**BEK 1-P-27**  
**Holder for filter disk**

- Reliable and quick installation of filter discs on BEK-P... spotlight
- Robust design
- Aluminum housing



**Function**

													<b>CE</b>
--	--	--	--	--	--	--	--	--	--	--	--	--	-----------

**Technical data (typ.)**

**+20°C, 24 V DC**

Housing dimensions	36.5 x 34.5 x 12 mm
Thread	M27 x 0.5
Housing material	Aluminum (Black, Anodized)
Weight	15 g
Component	Holder for filter disk
To be used for	Spotlights BEK-Pxx ... (axial)
Scope of delivery	Holder for filter disk, 4 cylinder head screws M2

**More information / accessories**

<https://www.di-soric.com/206973>