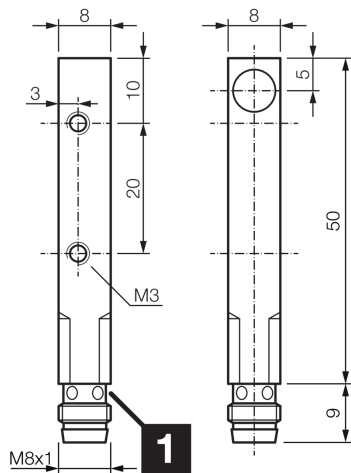




**207041**  
**DCCQ 08 M 03 NSK-TSL**  
**Inductive proximity sensor**

- Metal connector
- Integrated amplifier
- Short-circuit protection
- Starting pulse suppression
- LED



1) LED 4 x 90° (yellow)

BK: black

BN: brown

BU: blue

**Function**



**Technical data (typ.)**

**+20°C, 24 V DC**

Service voltage	10 ... 30 V DC
Internal power consumption	< 10 mA
Insulation voltage endurance	500 V
Installation type	quasi-flush
Housing dimensions	8 x 8 mm
Housing length	60 mm
Housing height	8 mm
Housing width	8 mm
Housing material	Brass (nickel-plated)
Protection class	III, operation on protective low voltage
Operating principle	inductive
Evaluation	digital
Design	Cuboid design
Characteristics	extremely high operating distance
Product series	INE Extended
Switching output	npn, 200 mA, NO
Voltage drop (max.)	2.4 V
Switching distance (SN)	3 mm
Standardized measuring plate	9 x 9 x 1 mm
Switching hysteresis (max.)	< 15 %

**207041****DCCQ 08 M 03 NSK-TSL****Inductive proximity sensor****Technical data (typ.)****+20°C, 24 V DC**

Switching frequency

1000 Hz

Ambient temperature during operation

-25 ... +70 °C

Protection type

IP 67

Connection

Connector, M8, 3-pin, A-coded

Connection cable

TK ...

**More information / accessories**<https://www.di-soric.com/207041>