

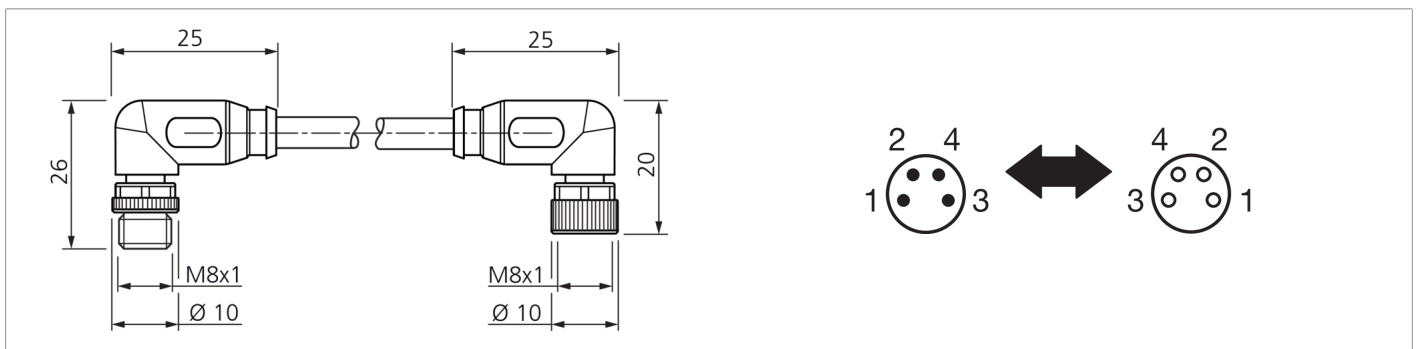


207754

TSHM-W-2.0/ TKM-W/4

Connection cable

- Drag chain compatible
- Sturdy metal union nut
- Flexible lead design
- High protection type
- Gold-plated plug-in contacts



Function



Technical data (typ.)

+20°C

Service voltage	< 60 V AC/DC
Length	2,000 mm
Diameter	Ø 4.3 mm (Diameter)
Thread	M8 x 1
Material of cable	Polyurethane
Material	Polyurethane (Connector)
Drag chain properties	<ul style="list-style-type: none"> ■ < 2 Mio. (Bending cycles) ■ 3.3 m/s (Max. moving speed) ■ 5 m/s² (Max. acceleration)
Protection class	III, operation on protective low voltage
Component	Cable connection
Design	angled / angled
Characteristics	Metal nut
Drag chain compatible	Yes
Ambient temperature during operation	-5 ... +80 °C (Movable, Fixed)
Protection type	IP 67 (at tightening torque 0.4 Nm)
Connection	Connector, M8, 4-pin, A-coded
Connection 2	Socket, M8, 4-pin, A-coded
Cross-section	0.25 x 0.25 mm (4 x)

More information / accessories

<https://www.di-soric.com/207754>