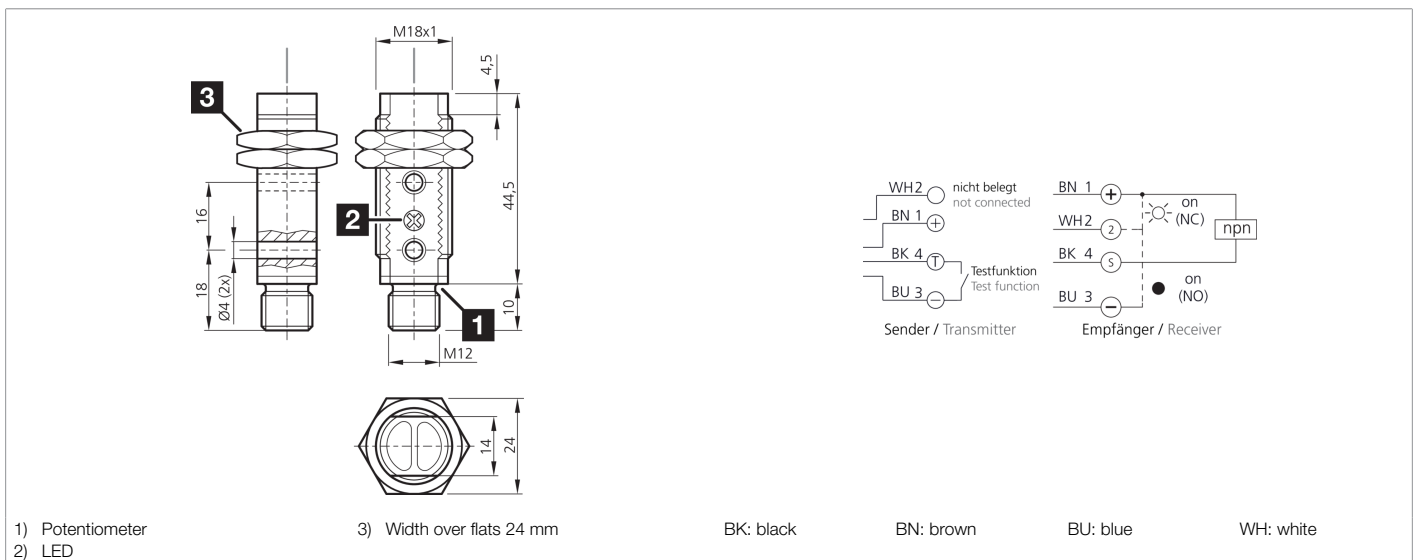




**207909**  
**OES 18 FM 10000 N3-B4**  
**Through-beam sensor, transmitter / receiver**

- Universal mounting options
- Low installation depth
- Sensitivity is adjustable
- LED switching status display
- Metal casing



Function												
											CE	

Technical data (typ.)	+20°C, 24 V DC
Service voltage	10 ... 30 V DC
No-load current (max.)	30 mA
Thread	M18 x 1
Housing length	54.5 mm
Housing material	Metal
Material	PMMA (Window)
Protection class	III, operation on protective low voltage
Operating principle	Through-beam sensor
Evaluation	digital
Design	Thread
Consisting of	Transmitter and Receiver
Switching output	npn, 100 mA, NO/NC
Light source	LED
Color	Infrared
Wavelength	880 nm
Modulation	Clocked
Ambient light immunity	3 kLx Clocked light, 10 kLx Sunlight
Range	0 ... 10000 mm
Sensitivity adjustment	Potentiometer



**207909**

**OES 18 FM 10000 N3-B4**

**Through-beam sensor, transmitter / receiver**

<b>Technical data (typ.)</b>	<b>+20°C, 24 V DC</b>
Switching frequency	333 Hz
Response time	1.5 ms
Release time	1.5 ms
Ambient temperature during operation	-25 ... +55 °C
Protection type	IP 67
Connection	Connector, M12, 4-pin
<b>More information / accessories</b>	<b><a href="https://www.di-soric.com/207909">https://www.di-soric.com/207909</a></b>