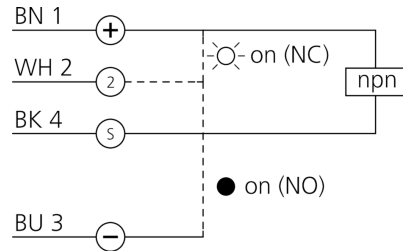
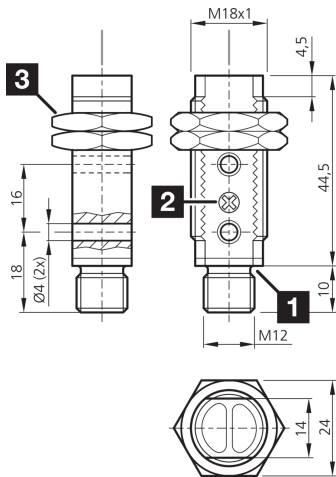


207961

OR 18-1 FK 5700 N3-B4

Retroreflective sensor

- Universal mounting options
- Low installation depth
- Sensitivity is adjustable
- LED switching status display
- Plastic housing



1) Potentiometer
2) LED

3) Width over flats 24 mm

BK: black

BN: brown

BU: blue

WH: white

Function



Technical data (typ.)

+20°C, 24 V DC

Service voltage	10 ... 30 V DC
No-load current (max.)	30 mA
Thread	M18 x 1
Housing length	54.5 mm
Housing material	Plastic (ABS)
Material	PMMA (Window)
Protection class	III, operation on protective low voltage
Operating principle	Retroreflective sensor
Evaluation	digital
Design	Thread
Switching output	npn, 100 mA, NO/NC
Voltage drop (max.)	2 V
Light source	LED
Color	Red
Wavelength	660 nm
Modulation	Clocked
Ambient light immunity	3 kLx Clocked light, 10 kLx Sunlight
Range	5000 mm



207961
OR 18-1 FK 5700 N3-B4
Retroreflective sensor

Technical data (typ.)	+20°C, 24 V DC
Range during operation with	<ul style="list-style-type: none">■ 2000 mm (R55)■ 4500 mm (R 84)■ 5000 mm (R 100x100)
Referring reflector	R55 (included)
Sensitivity adjustment	Potentiometer
Switching frequency	1000 Hz
Response time	0.50 ms
Release time	0.50 ms
Ambient temperature during operation	-25 ... +55 °C
Protection type	IP 67
Connection	Connector, M12, 4-pin
More information / accessories	https://www.di-soric.com/207961