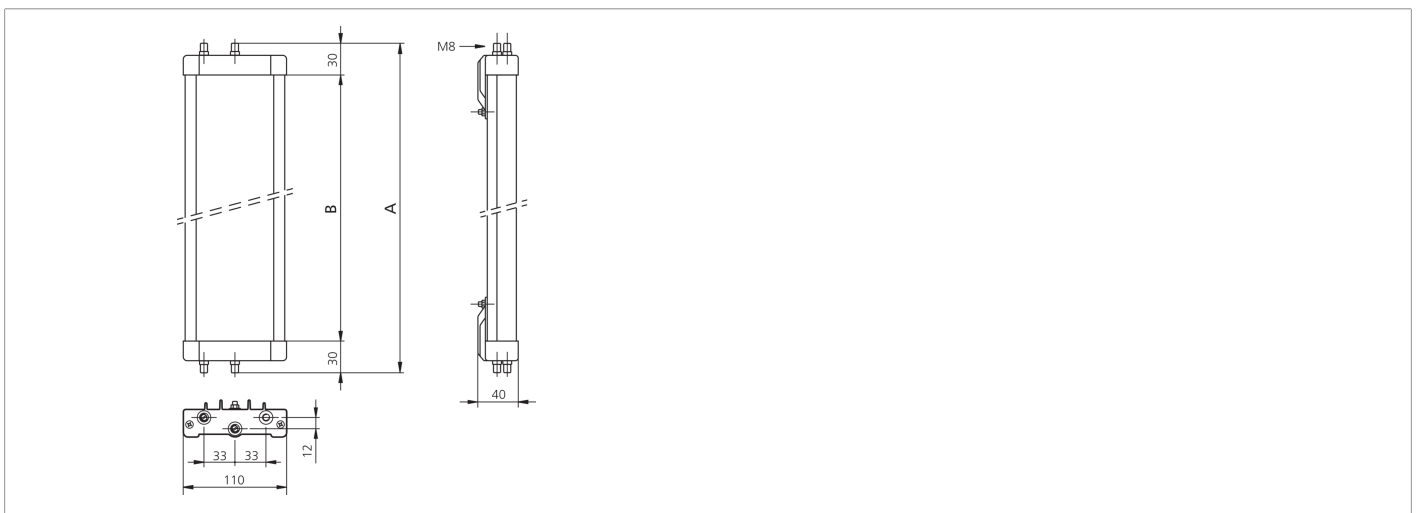




**208148**  
**SP 1500 S**  
**Deflection mirrors**

- Not more than one safety light curtain / grid necessary
- For the realization of circumferential protective fields with up to 4 sides
- Adjustable angle alignment using two brackets supplied
- Special models with mirrors that have a shatter protection film are available on request
- Optical power reduction factor 15% for each mirror
- Extruded aluminum section bar



**Technical data (typ.)**

|                                      |  |
|--------------------------------------|--|
| Total height (A)                     | 1660 mm  |
| Housing material                     | Aluminum rod profile (Epoxy powder coating) / Plastic                |
| Deflection mirror height (B)         | 1600 mm  |
| Operating principle                  | Deflection mirrors   |
| To be used for                       | 1510 mm protective field height                                      |
| Design                               | freely adjustable  |
| Scope of delivery                    | Assembly instructions, 2 adjustable fixing brackets, Fixing material |
| Absorption factor                    | 15 %   |
| Ambient temperature during operation | -10 ... +55 °C (Mirror)  |

**More information / accessories**

<https://www.di-soric.com/208148>