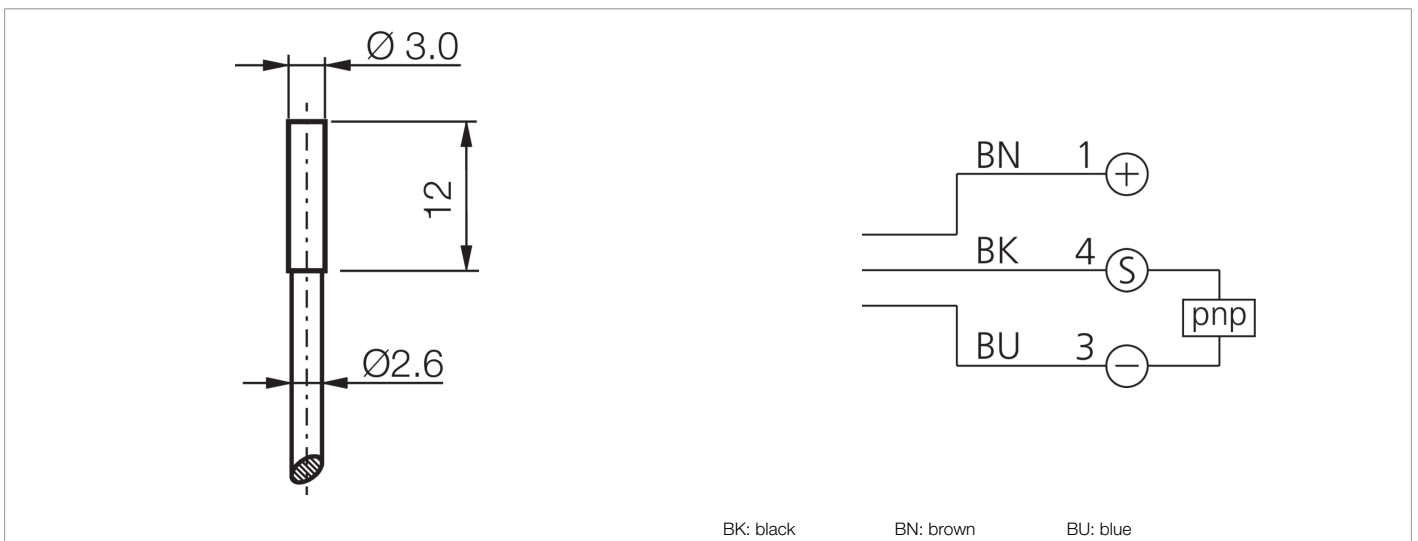




208312
DCC 3.0 V 1.0 PSLK/12
Inductive proximity sensor

- Highly flexible cable
- Integrated amplifier
- Short-circuit protection
- Starting pulse suppression
- LED



Function													
													 

Technical data (typ.)	+20°C, 24 V DC
Service voltage	10 ... 30 V DC
Internal power consumption	< 10 mA
Insulation voltage endurance	According to IEC 60947-5-2 (7.2.3.1)
Installation type	Flush
Diameter	$\varnothing 3.0$ mm (Diameter)
Housing length	12 mm
Housing material	Stainless steel (V2A)
Material of cable	Polyurethane
Protection class	III, operation on protective low voltage
Operating principle	inductive
Evaluation	digital
Design	Cylinder
Characteristics	increased operating distance
Product series	INM-300 Miniature Extended
Switching output	pnp, 100 mA, NO
Voltage drop (max.)	2 V (100 mA)
Switching distance (SN)	1 mm
Standardized measuring plate	3 x 3 x 1 mm
Switching hysteresis (max.)	< 10 %
Switching frequency	8000 Hz



208312

DCC 3.0 V 1.0 PSLK/12

Inductive proximity sensor

Technical data (typ.)

+20°C, 24 V DC

Ambient temperature during operation

-25 ... +70 °C

Protection type

IP 67

Connection

Cable, 2.0 m (flying leads)

More information / accessories

<https://www.di-soric.com/208312>