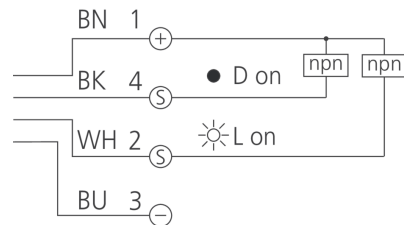
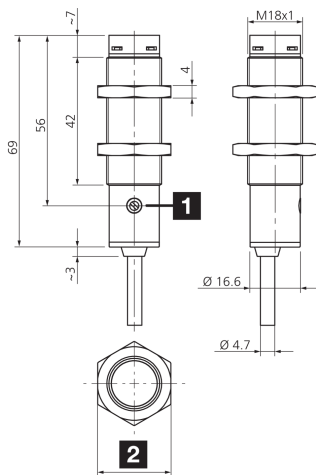




**208335**  
**OR 18-1 M 3000 N4-4**  
**Retroreflective sensor**

- Compact design
- Red light
- Polarization filter
- Sensitivity is adjustable
- High resolution, switching frequency, functional reserve
- Long range
- Antivalent output



1) Potentiometer

2) Width over flats 24 mm

BK: black

BN: brown

BU: blue

WH: white

**Function**



**Technical data (typ.)**

**+20°C, 24 V DC**

Service voltage	10 ... 30 V DC
No-load current (max.)	30 mA
Insulation voltage endurance	500 V
Thread	M18 x 1
Housing material	Brass (CuZn, nickel-plated)
Material of cable	PVC
Material	PMMA (Window)
Protection class	III, operation on protective low voltage
Operating principle	Retroreflective sensor
Evaluation	digital
Design	Thread
Switching output	npn, 100 mA, antivalent
Voltage drop (max.)	2 V
Light source	LED
Color	red
Wavelength	660 nm
Modulation	Clocked, polarized
Ambient light immunity	5 kLx Halogen light, 10 kLx Sunlight
Range	3000 mm
Referring reflector	Ø 84 mm, R 84



**208335**

**OR 18-1 M 3000 N4-4**

**Retroreflective sensor**

Technical data (typ.)	+20°C, 24 V DC
Switching hysteresis (max.)	10 %
Sensitivity adjustment	Potentiometer
Switching frequency	250 Hz
Response time	2.0 ms
Release time	2.0 ms
Ambient temperature during operation	-25 ... +70 °C
Temperature drift	3 mm/K
Protection type	IP 67
Connection	Cable, 2.0 m, 4-pin (flying leads)
More information / accessories	<a href="https://www.di-soric.com/208335">https://www.di-soric.com/208335</a>