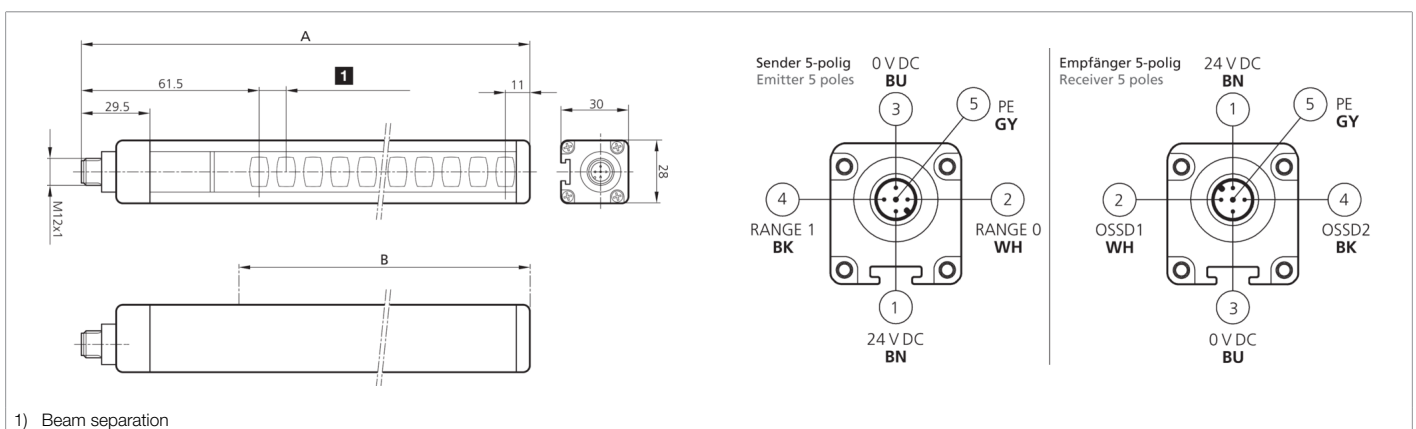




**208432**  
**SLB2-1504**  
**Safety light curtain**

- Attractively priced solution for safety level 2
- Resolution for hand protection
- Protective range to profile end
- Parameterization via connecting cable
- Easy and fast startup
- Automatic Start/Restart
- For Modular Safety Controller / safety relays
- Unshielded connecting cables up to 100 m
- High protection type



| Function |  |  |  |  |  |  |  |  |  |  |
|----------|--|--|--|--|--|--|--|--|--|--|
|          |  |  |  |  |  |  |  |  |  |  |

| Technical data (typ.)       | +20°C, 24 V DC  |
|-----------------------------|---|
| Service voltage             | 19.2 ... 28.8 V DC  |
| Inverse polarity protection | Yes   |
| Short-circuit protection    | Yes   |
| Total height (A)            | 1563 mm   |
| Mounting                    | T-groove (backside), / Holder SFB E 180 (optional)  |
| Housing material            | Aluminum  |
| Material                    | Polycarbonate (Window)  |
| Characteristic variables    | Typ 2, Typ 2 (IEC/TS 61496-2), SIL 1 (IEC 61508), SILCL 1 (IEC 62061), PL c - Kat. 2 (EN ISO 13849-1)   |
| Protective function         | Hand protection   |
| Protection class            | III, operation on protective low voltage  |
| Model                       | Basic   |
| Start / restart             | Automatic   |
| Self-diagnostics            | Every 500 ms (2 Hz)   |
| Scope of delivery           | Transmitter + receiver, one set of standard fixing brackets SA 6, CD-ROM containing the multi-language operating instructions, Quick installation guide |
| Safety output               | pnp (2x), 400 mA / 24 V DC  |
| Light source                | LED   |
| Color                       | Infrared  |
| Wavelength                  | 950 nm  |
| Number of beams             | 51  |
| Protective field height (B) | 1510 mm   |
| Range                       | 4000 mm (Low range) / 12000 mm (High range)   |



**208432**

**SLB2-1504**

**Safety light curtain**

| <b>Technical data (typ.)</b>          | <b>+20°C, 24 V DC</b>  |
|---------------------------------------|--|
| Resolution                            | 40.0 mm  |
| Display                               | LED (Self-diagnosis and status of light barrier)                                     |
| Reaction time                         | 14 ms  |
| Ambient temperature during operation  | -30 ... +55 °C   |
| Protection type                       | IP 65 / IP 67  |
| Connection                            | Connector, M12, 5-pin (Transmitter)  |
| Connection 2                          | Connector, M12, 5-pin (Receiver)   |
| Cable                                 | unshielded connection cables max. 100 m  |
| <b>More information / accessories</b> | <b><a href="https://www.di-soric.com/208432">https://www.di-soric.com/208432</a></b> |