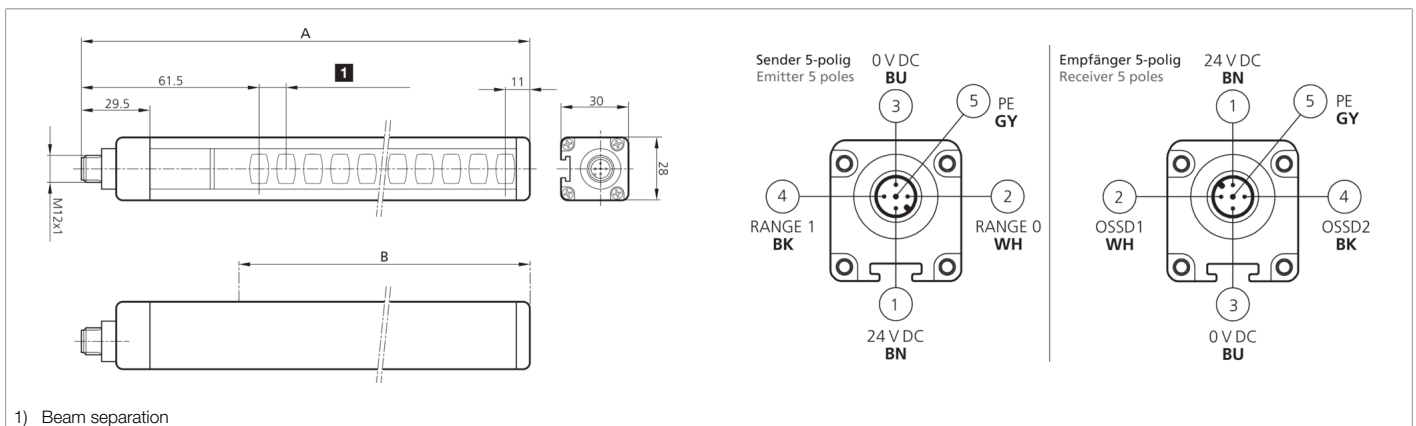




208566
SLBH4-1804
Safety light curtain

- Highest safety level
- Resolution for hand protection
- Long range for large systems and applications with deflector mirrors
- Protective range to profile end
- Parameterization via connecting cable
- Easy and fast startup
- Automatic Start/Restart
- For Modular Safety Controller / safety relays
- Unshielded connecting cables up to 100 m
- High protection type



| Function | | | | | | | | | | |
|----------|--|--|--|--|--|--|--|--|--|--|
| | | | | | | | | | | |

| Technical data (typ.) | +20°C, 24 V DC |
|-----------------------------|---|
| Service voltage | 19.2 ... 28.8 V DC |
| Inverse polarity protection | Yes |
| Short-circuit protection | Yes |
| Total height (A) | 1886 mm |
| Mounting | T-groove (backside), / Holder SFB E 180 (optional) |
| Housing material | Aluminum |
| Material | Polycarbonate (Window) |
| Characteristic variables | Typ 4, Typ 4 (IEC/TS 61496-2), SIL 3 (IEC 61508), SILCL 3 (IEC 62061), PL e - Kat. 4 (EN ISO 13849-1) |
| Protective function | Hand protection |
| Protection class | III, operation on protective low voltage |
| Model | Basic, extended range |
| Start / restart | Automatic |
| Scope of delivery | Transmitter + receiver, one set of standard fixing brackets SA 6, CD-ROM containing the multi-language operating instructions, Quick installation guide |
| Safety output | pnp (2x), 400 mA / 24 V DC |
| Light source | LED |
| Color | Infrared |
| Wavelength | 950 nm |
| Number of beams | 61 |
| Protective field height (B) | 1810 mm |
| Range | 10000 mm (Low range) / 20000 mm (High range) |
| Resolution | 40.0 mm |

**208566****SLBH4-1804****Safety light curtain**

| | |
|---------------------------------------|--|
| Technical data (typ.) | +20°C, 24 V DC |
| Display | LED (Self-diagnosis and status of light barrier) |
| Reaction time | 9.5 ms |
| Ambient temperature during operation | -20 ... +55 °C |
| Protection type | IP 65 / IP 67 |
| Connection | Connector, M12, 5-pin (Transmitter) |
| Connection 2 | Connector, M12, 5-pin (Receiver) |
| Cable | unshielded connection cables max. 100 m |
| More information / accessories | https://www.di-soric.com/208566 |