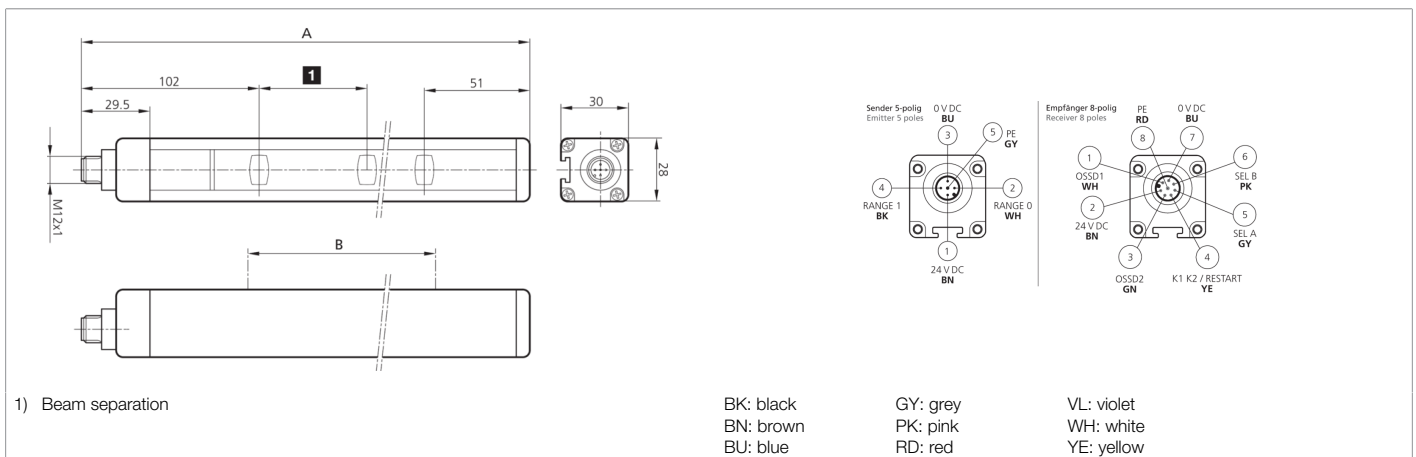




**208979**  
**SLI4-2B**  
**Safety light grid**

- Highest safety level
- Light beam interspace for access control
- Protective range to profile end
- Integrated safety function - No external safety relay required
- Parameterization via connecting cable
- Selectable manual or automatic Start/Restart
- Feedback input for external relay monitoring (EDM)
- Unshielded connecting cables up to 100 m
- High protection type



| Function |  |  |  |  |  |  |  |  |  |  |
|----------|--|--|--|--|--|--|--|--|--|--|
|          |  |  |  |  |  |  |  |  |  |  |

| Technical data (typ.)                    | +20°C, 24 V DC  |
|--|---|
| Service voltage                          | 19.2 ... 28.8 V DC  |
| Inverse polarity protection              | Yes   |
| Short-circuit protection                 | Yes   |
| Total height (A)                         | 653 mm  |
| Mounting                                 | T-groove (backside), / Holder SFB E 180 (optional)  |
| Housing material                         | Aluminum  |
| Material                                 | Polycarbonate (Window)  |
| Characteristic variables                 | Typ 4, Typ 4 (IEC/TS 61496-2), SIL 3 (IEC 61508), SILCL 3 (IEC 62061), PL e - Kat. 4 (EN ISO 13849-1)   |
| Protective function                      | Access control  |
| Protection class                         | III, operation on protective low voltage  |
| Model                                    | built-in control functions (EDM)  |
| Start / restart                          | Automatic / manual (selectable)   |
| External device (relay) monitoring - EDM | Feedback input, selectable release  |
| Scope of delivery                        | Transmitter + receiver, one set of standard fixing brackets SA 4, CD-ROM containing the multi-language operating instructions, Quick installation guide |
| Safety output                            | pnp (2x), 400 mA / 24 V DC  |
| Light source                             | LED   |
| Color                                    | Infrared  |
| Wavelength                               | 950 nm  |
| Beam separation                          | 500 mm  |
| Number of beams                          | 2   |
| Protective field height (B)              | 510 mm  |



**208979**  
**SLI4-2B**  
**Safety light grid**

|                                       |  |
|---------------------------------------|--|
| <b>Technical data (typ.)</b>          | <b>+20°C, 24 V DC</b>  |
| Range                                 | 4000 mm (Low range) / 12000 mm (High range)  |
| Display                               | LED (Self-diagnosis and status of light barrier)                                     |
| Reaction time                         | 2.5 ms   |
| Ambient temperature during operation  | -20 ... +55 °C   |
| Protection type                       | IP 65 / IP 67  |
| Connection                            | Connector, M12, 5-pin (Transmitter)  |
| Connection 2                          | Connector, M12, 8-pin (Receiver)   |
| Cable                                 | unshielded connection cables max. 100 m  |
| <b>More information / accessories</b> | <b><a href="https://www.di-soric.com/208979">https://www.di-soric.com/208979</a></b> |