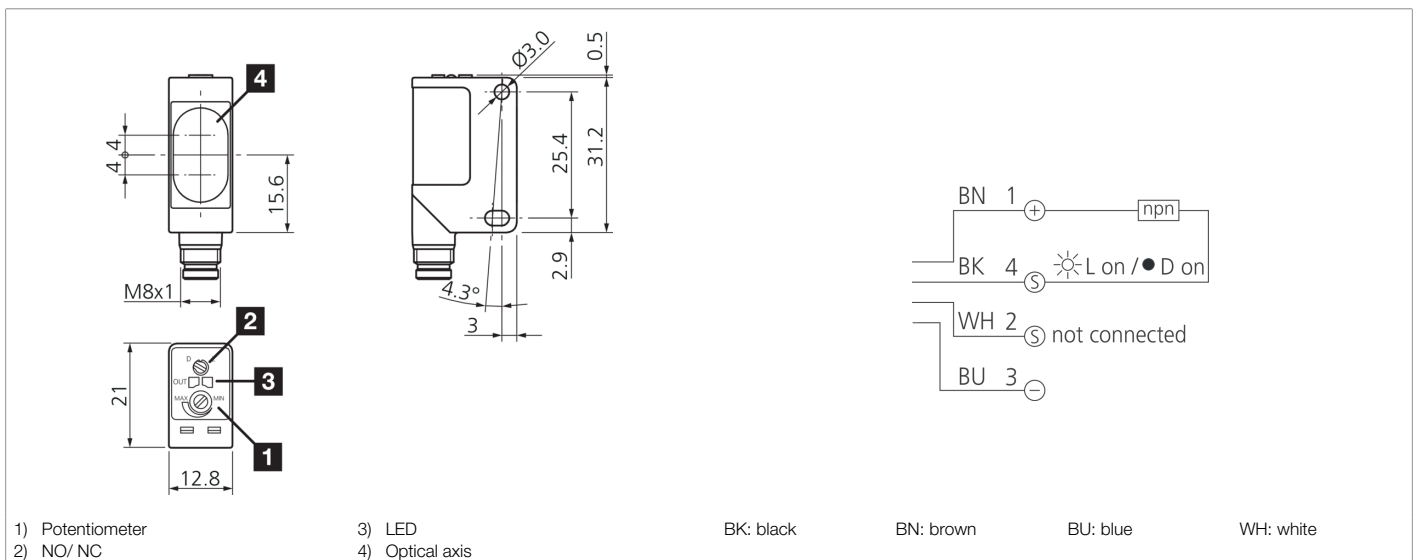




209254
OR 31 K 5000 N3-T4
Retroreflective sensor

- Compact design
- Red light
- Sensitivity is adjustable
- Switch for light/dark switching
- Long range
- Fully molded electronic circuitry, vibration-resistant
- Standardized hole spacing 25.4 mm



Function												
											CE	

Technical data (typ.)		+20°C, 24 V DC
Service voltage		10 ... 30 V DC
No-load current (max.)		30 mA
Insulation voltage endurance		500 V
Housing dimensions		31.2 x 21 x 12.8 mm
Housing length		21 mm
Housing height		31.2 mm
Housing width		12.8 mm
Housing material		Plastic (PA, 6.6)
Material		PMMA (Window)
Protection class		III, operation on protective low voltage
Operating principle		Retroreflective sensor
Evaluation		digital
Design		Cuboid design
Switching output		npn, 100 mA, NO/NC, switchable
Voltage drop (max.)		2 V
Light source		LED
Color		Red
Wavelength		630 nm
Modulation		Clocked

**209254****OR 31 K 5000 N3-T4****Retroreflective sensor**

Technical data (typ.)	+20°C, 24 V DC
Ambient light immunity	3 kLx Halogen light, 10 kLx Sunlight
Range	20 ... 5000 mm
Referring reflector	Ø 84 mm, R 84
Switching hysteresis (max.)	10 %
Sensitivity adjustment	Potentiometer
Switching frequency	2000 Hz
Response time	0.25 ms
Release time	0.25 ms
Ambient temperature during operation	-25 ... +70 °C
Temperature drift	1.5 mm/K
Protection type	IP 67
Connection	Connector, M8, 4-pin
Connection cable	TK ... /4
More information / accessories	https://www.di-soric.com/209254