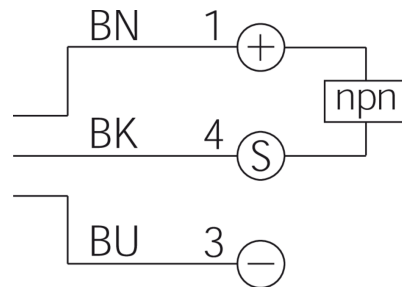
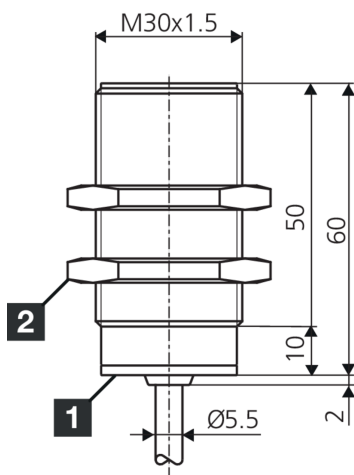
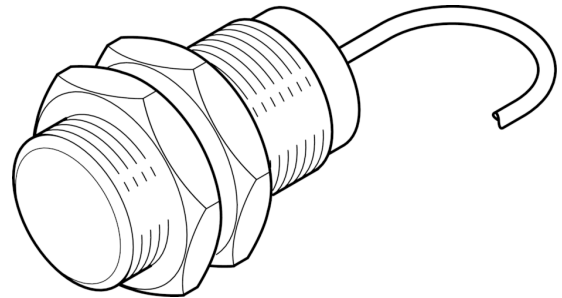




**209380**  
**DCB 30 MB 15 NS-3**  
**Inductive proximity sensor**

- Integrated amplifier
- Short-circuit protection
- Starting pulse suppression
- 4 LEDs for switching status display



1) LED

2) Width over flats 36 mm

BK: black

BN: brown

BU: blue

**Function**



**Technical data (typ.)**

**+20°C, 24 V DC**

Service voltage	10 ... 30 V DC
Internal power consumption	< 20 mA
Insulation voltage endurance	500 V
Installation type	Flush
Thread	M30 x 1.5
Housing length	60 mm
Housing material	Brass (nickel-plated)
Material of cable	PVC
Material	PBT (Sensor probe)
Protection class	III, operation on protective low voltage
Operating principle	inductive
Evaluation	digital
Design	Thread
Characteristics	increased operating distance
Product series	INE Extended
Switching output	npn, 400 mA, NO
Voltage drop (max.)	1 V (400 mA)
Switching distance (SN)	15 mm
Standardized measuring plate	45 x 45 x 1 mm
Switching hysteresis (max.)	1 ... 20 %



**209380**  
**DCB 30 MB 15 NS-3**  
**Inductive proximity sensor**

<b>Technical data (typ.)</b>	<b>+20°C, 24 V DC</b>
LED Anzeige	Yes
Switching frequency	200 Hz
Ambient temperature during operation	-25 ... +70 °C
Protection type	IP 67
Connection	Cable, 2.0 m (flying leads)
<b>More information / accessories</b>	<b><a href="https://www.di-soric.com/209380">https://www.di-soric.com/209380</a></b>