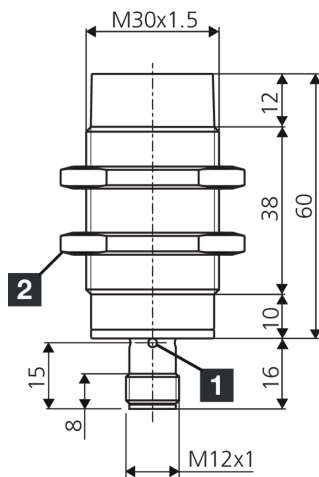
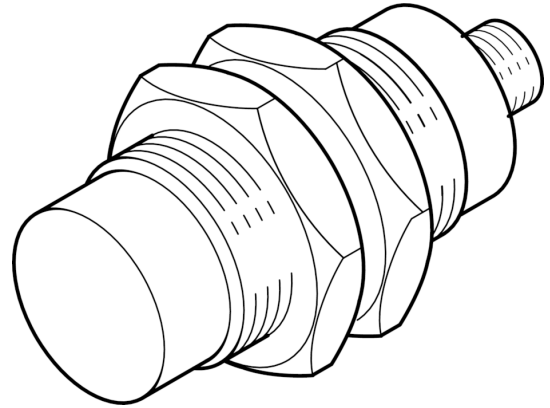




**209385**  
**DCB 30 MN 20 PS-B3**  
**Inductive proximity sensor**

- Metal connector
- Integrated amplifier
- Short-circuit protection
- Starting pulse suppression
- 4 LEDs for switching status display



1) LED

2) Width over flats 36 mm

BK: black

BN: brown

BU: blue

**Function**



**Technical data (typ.)**

**+20°C, 24 V DC**

Service voltage	10 ... 30 V DC
Internal power consumption	< 20 mA
Insulation voltage endurance	500 V
Installation type	non-flush
Thread	M30 x 1.5
Housing length	76 mm
Housing material	Brass (nickel-plated)
Material	PBT (Sensor probe)
Protection class	III, operation on protective low voltage
Operating principle	inductive
Evaluation	digital
Design	Thread
Characteristics	increased operating distance
Product series	INE Extended
Switching output	pnp, 400 mA, NO
Voltage drop (max.)	1 V (400 mA)
Switching distance (SN)	20 mm
Standardized measuring plate	60 x 60 x 1 mm
Switching hysteresis (max.)	1 ... 20 %
LED Anzeige	Yes



209385

DCB 30 MN 20 PS-B3

Inductive proximity sensor

**Technical data (typ.)**

**+20°C, 24 V DC**

Switching frequency

200 Hz

Ambient temperature during operation

-25 ... +70 °C

Protection type

IP 67

Connection

Connector, M12, 3-pin, A-coded

Connection cable

VK ...

**More information / accessories**

<https://www.di-soric.com/209385>