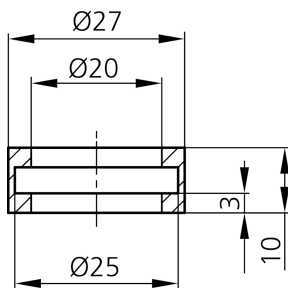
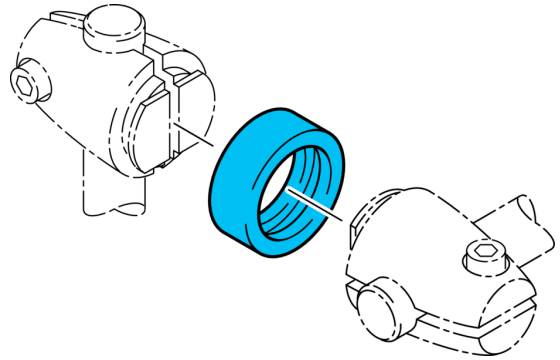


209483
HS-AR-KL-20
Adapter ring

- Highly flexible versatile mounting system
- Universal mounting
- Stepless adjustment
- Robust design



Technical data (typ.)

Dimension	+20°C Ø 20 / Ø 20 mm (Diameter Mounting pin / boring)
Housing material	Stainless steel (V4A, 1.4404 / AISI 316L - 1.4571 / AISI 316Ti)
Component	Adapter ring
Product series	Z-UBT-KL-MS Assembly system

More information / accessories

<https://www.di-soric.com/209483>