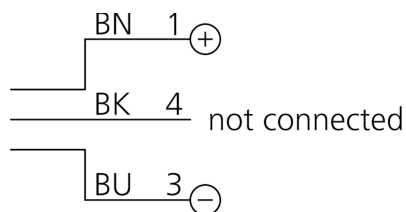
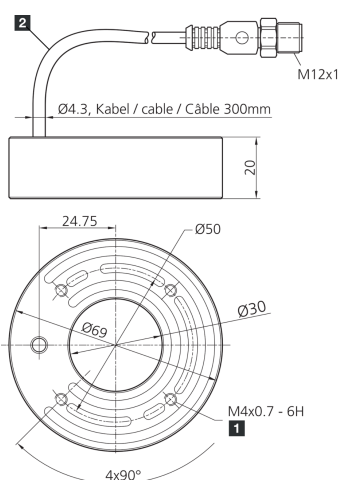



**209551**
**BE-R30-G1-K-BS-CLR**
**Ringlight**

- High light intensity thanks to state-of-the-art high power LEDs
- Very compact design
- Long life thanks to intelligent thermal management
- Homogeneous illumination
- Protection class IP 67
- Robust metal housing



1) 6 mm deep

2) Connection cable

BK: black

BN: brown

BU: blue

**Function**

**Technical data (typ.)**
**+20°C, 24 V DC**

Service voltage	24 V DC (Supply Class 2)
Power	5.1 W (24 V DC)
Insulation voltage endurance	500 V
Diameter	Ø 30 / Ø 69 mm (Diameter)
Height	20 mm
Housing material	Aluminum (Black, Anodized)
Material	<ul style="list-style-type: none"> <li>■ Polyurethane (Cable)</li> <li>■ PMMA, clear (Protection optics)</li> </ul>
Protection class	III, operation on protective low voltage
Risk group (DIN EN 62471)	Free group
Approvals	UL
Design	Ringlight
Characteristics	State-of-the-art high power LEDs
Light source	LED
Color	red (clear)
Wavelength	625 nm
Deflection angle FWHM	80°
Light intensity	<ul style="list-style-type: none"> <li>■ 9.00 kLx (100.0 mm)</li> <li>■ 2.90 kLx (200.0 mm)</li> <li>■ 1.35 kLx (300.0 mm)</li> </ul>

 **209551****BE-R30-G1-K-BS-CLR****Ringlight****Technical data (typ.)****+20°C, 24 V DC**

Shock/vibration load

30 g, 11 ms / 10 ... 55 Hz, 1.0 mm

Ambient temperature during operation

0 ... +40 °C

Protection type

IP 67

Connection

Pigtail, 0.3 m, M12, 3-pin

Connection cable

VK ...

**More information / accessories**<https://www.di-soric.com/209551>