

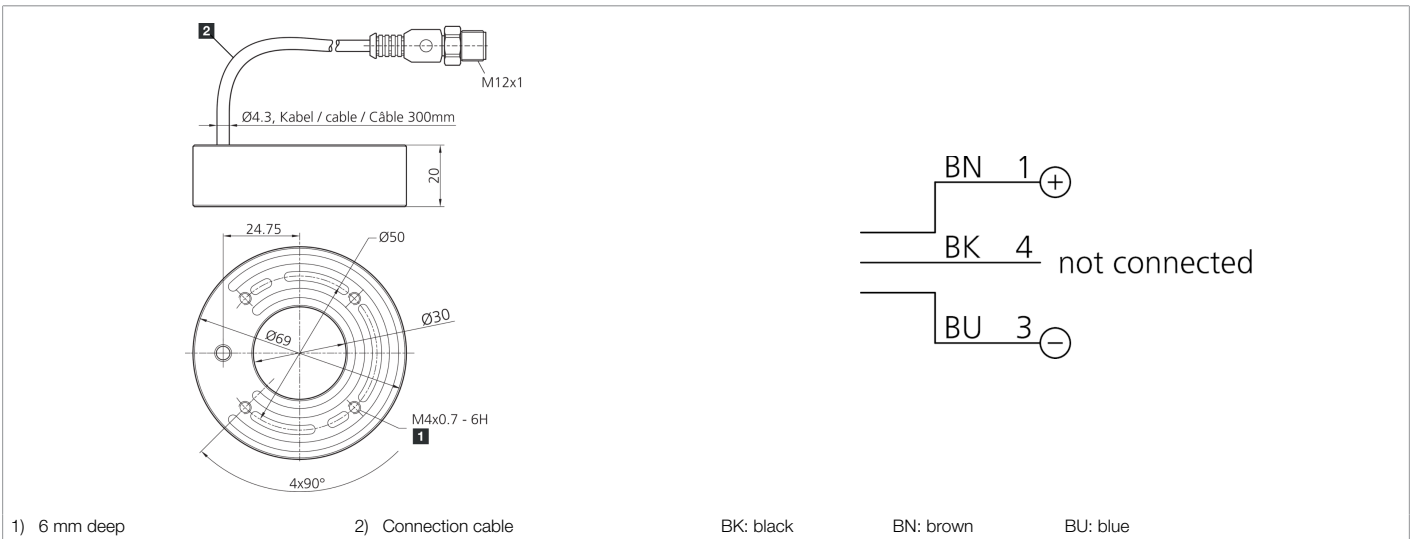


209552

BE-R30-G1-K-BS-DIF

Ringlight

- High light intensity thanks to state-of-the art high power LEDs
- Very compact design
- Long life thanks to intelligent thermal management
- Homogeneous illumination
- Protection class IP 67
- Robust metal housing



Function										

Technical data (typ.)	+20°C, 24 V DC
Service voltage	24 V DC (Supply Class 2)
Power	5.1 W (24 V DC)
Insulation voltage endurance	500 V
Diameter	$\varnothing 30 / \varnothing 69$ mm (Diameter)
Height	20 mm
Housing material	Aluminum (Black, Anodized)
Material	<ul style="list-style-type: none"> ■ Polyurethane (Cable) ■ PMMA, diffuse (Protection optics)
Protection class	III, operation on protective low voltage
Risk group (DIN EN 62471)	Free group
Approvals	UL
Design	Ringlight
Characteristics	State-of-the-art high power LEDs
Light source	LED
Color	red (diffuse)
Wavelength	625 nm
Deflection angle FWHM	80°
Light intensity	<ul style="list-style-type: none"> ■ 6.30 kLx (100.0 mm) ■ 2.00 kLx (200.0 mm) ■ 0.900 kLx (300.0 mm)
Shock/vibration load	30 g, 11 ms / 10 ... 55 Hz, 1.0 mm

**209552****BE-R30-G1-K-BS-DIF****Ringlight****Technical data (typ.)****+20°C, 24 V DC**

Ambient temperature during operation

0 ... +40 °C

Protection type

IP 67

Connection

Pigtail, 0.3 m, M12, 3-pin

Connection cable

VK ...

More information / accessories<https://www.di-soric.com/209552>