

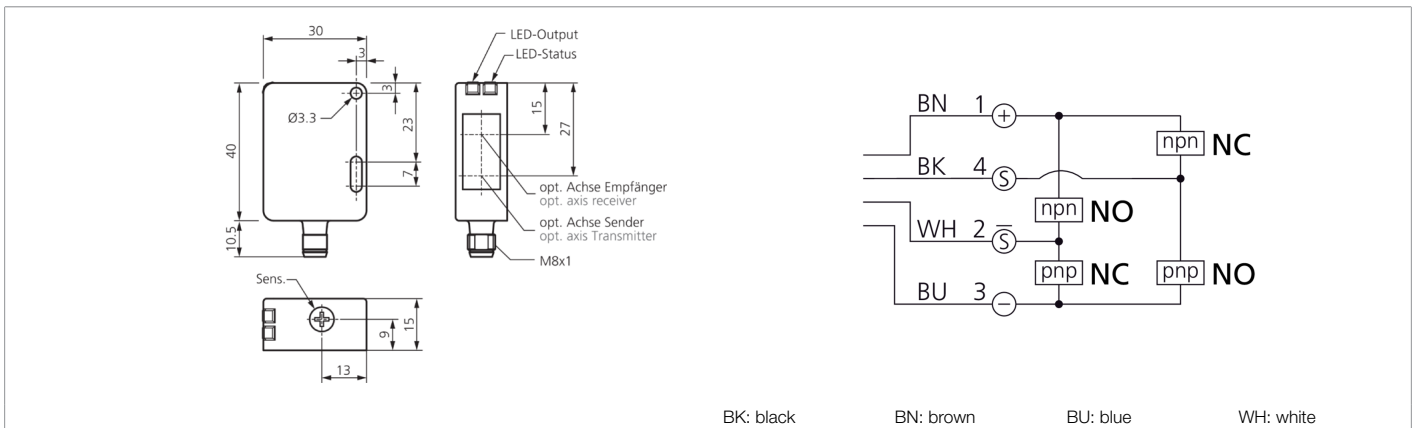


209571

LH 41 M 350 G4L-T4

Laser diffuse sensor with background suppression

- Vibration-safe 10-turn adjustment for finest adjustment
- Red-light laser, with small laser spot
- Optical background suppression
- Push-pull pnp + npn
- High resolution, switching accuracy, switching frequency
- Functional reserve indicator
- Robust metal housing
- Universal mounting



Function											

Technical data (typ.)	+20°C, 24 V DC
Service voltage	10 ... 30 V DC
No-load current (max.)	25 mA
Insulation voltage endurance	500 V
Housing dimensions	40 x 30 x 15 mm
Housing length	30 mm
Housing height	40 mm
Housing width	15 mm
Housing material	Die-cast zinc (Black, painted)
Material	Polycarbonate (Window)
Weight	48 g
Protection class	III
Operating principle	Diffuse sensor with background suppression
Evaluation	digital
Design	Cuboid design
Switching output	Push-pull, 100 mA, antivalent, NO/NC
Voltage drop (max.)	2 V
Light source	Laser
Laser class	CLASS 1 LASER PRODUCT, 1 (IEC 60825-1:2014 / EN 60825-1:2014)
Color	Red
Wavelength	650 nm (Pp < 1.6 mW t = 11.4 μs)
Modulation	Clocked
Background suppression	Yes
Light spot size	Ø 2 mm



209571

LH 41 M 350 G4L-T4

Laser diffuse sensor with background suppression

Technical data (typ.)	+20°C, 24 V DC
Ambient light immunity	20 kLx
Switching distance	350 to 600 mm as diffuse sensor
Scanning range	30 ... 350 mm
Switching hysteresis (max.)	1.5 %
Sensitivity adjustment	Potentiometer (10-turn)
Display	LED Green - Operation, yellow - Switching output Green - Low functional reserve (flashing)
Switching frequency	1000 Hz
Shock/vibration load	30 g, 10 ... 55 Hz / 0.5 mm
Ambient temperature during operation	-10 ... +50 °C
Protection type	IP 67
Connection	Connector, M8, 4-pin
Connection cable	TK ... /4
More information / accessories	https://www.di-soric.com/209571