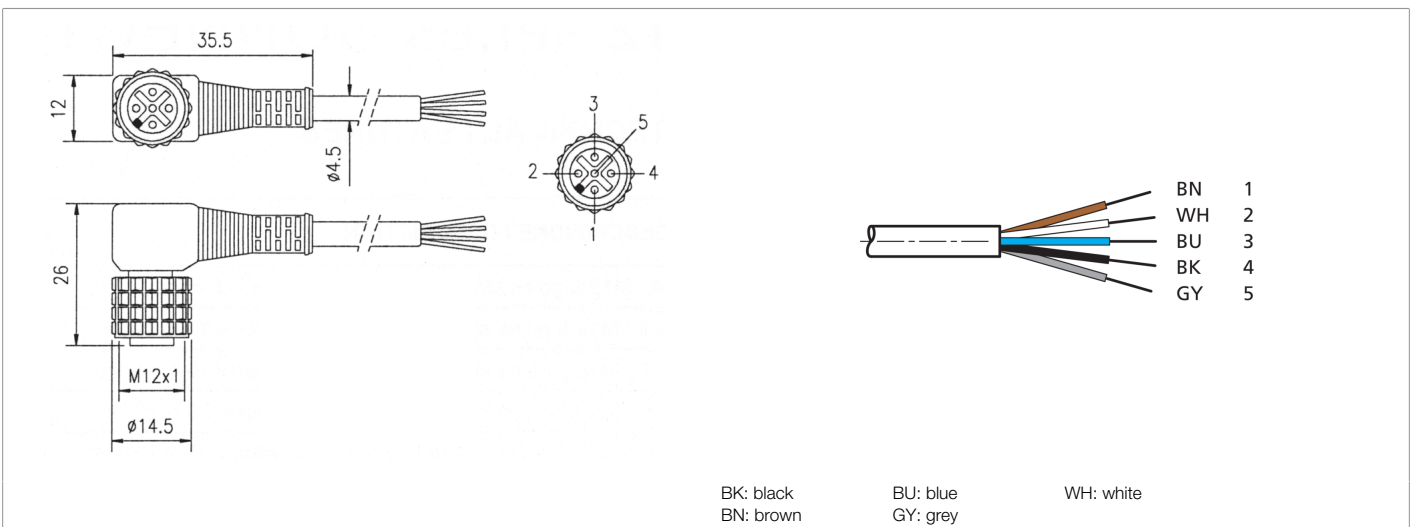
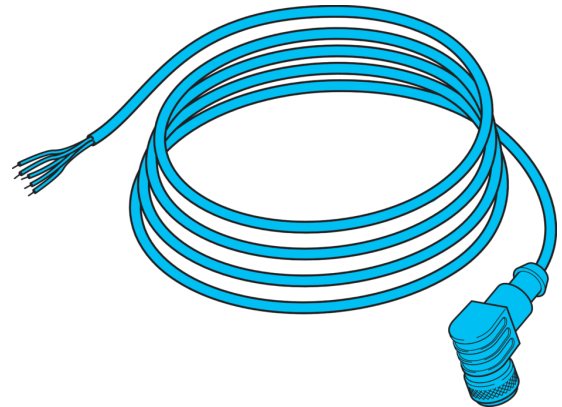




209821
CD 95
Connection cable

- Sturdy metal union nut
- Flexible lead design
- Good stripping properties
- High protection type



Function											

Technical data (typ.)	+20°C, 24 V DC
Length	5,000 mm
Thread	M12
Material	PVC (Cable)
Operating principle	Connection cable
Design	Angled / open cable end
Characteristics	Metal nut
To be used for	SLB... and transmitter SLI...
Protection type	IP 67
Connection	Socket, M12, 5-pin (flying leads)

More information / accessories <https://www.di-soric.com/209821>