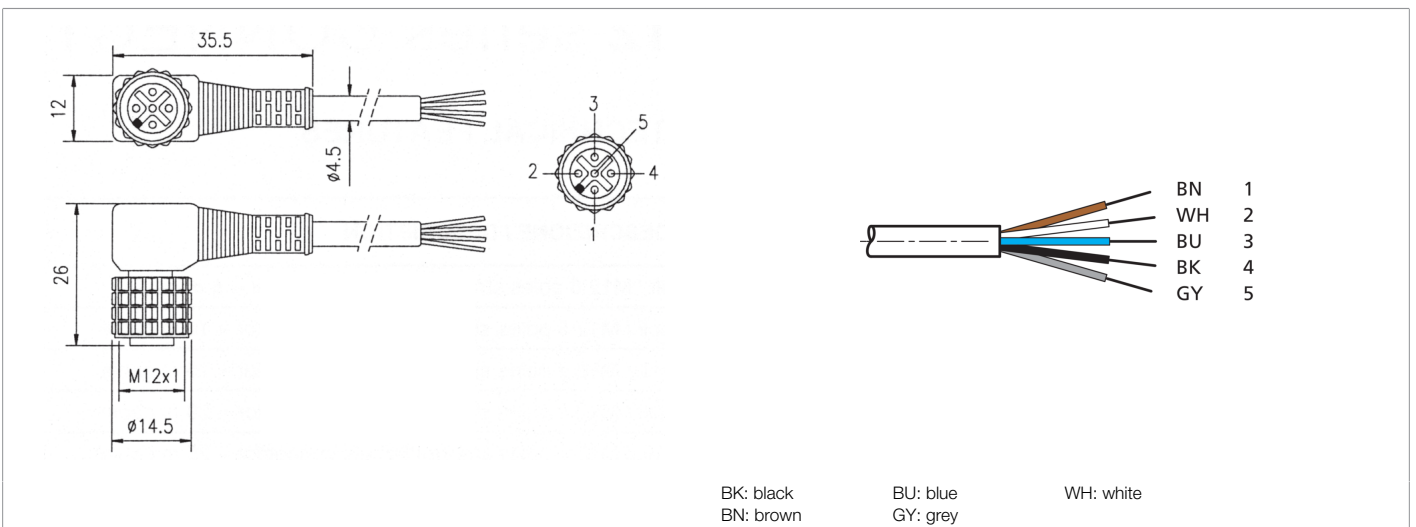
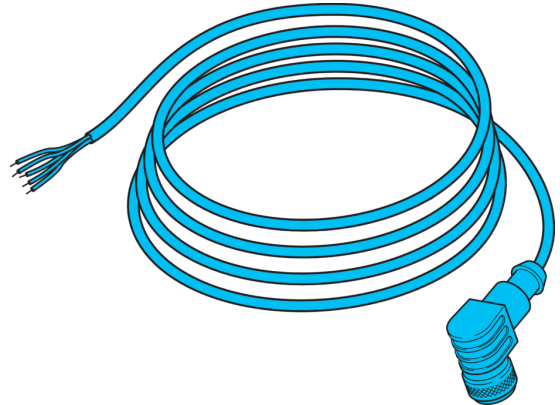






209825
CD 915
Connection cable

- Sturdy metal union nut
- Flexible lead design
- Good stripping properties
- High protection type



Function											
											 

Technical data (typ.)		+20°C, 24 V DC
Length		15,000 mm
Thread		M12
Material		PVC (Cable)
Operating principle		Connection cable
Design		Angled / open cable end
Characteristics		Metal nut
To be used for		SLB... and transmitter SLI...
Protection type		IP 67
Connection		Socket, M12, 5-pin (flying leads)

More information / accessories	
	https://www.di-soric.com/209825