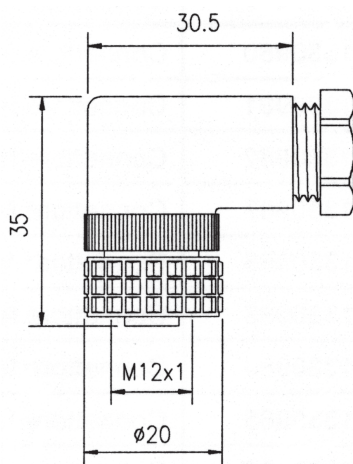
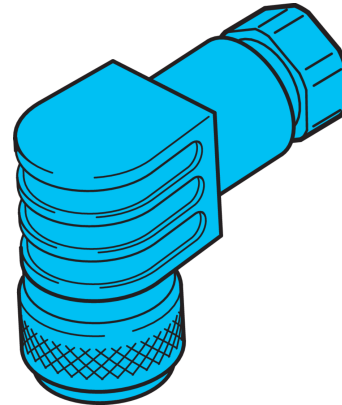

209833
CDM 99
Plug connector

- High protection type
- Robust design
- Metal connector



Function



Technical data (typ.)

+20°C, 24 V DC

Thread	M12
Material	PVC (Cable)
Operating principle	Plug connector
Design	Angled
Characteristics	Metal nut
To be used for	SLB... and transmitter SLI...
Protection type	IP 67
Connection	Socket, M12, 5-pin (with screw terminals and PG9 cable gland)

More information / accessories

<https://www.di-soric.com/209833>