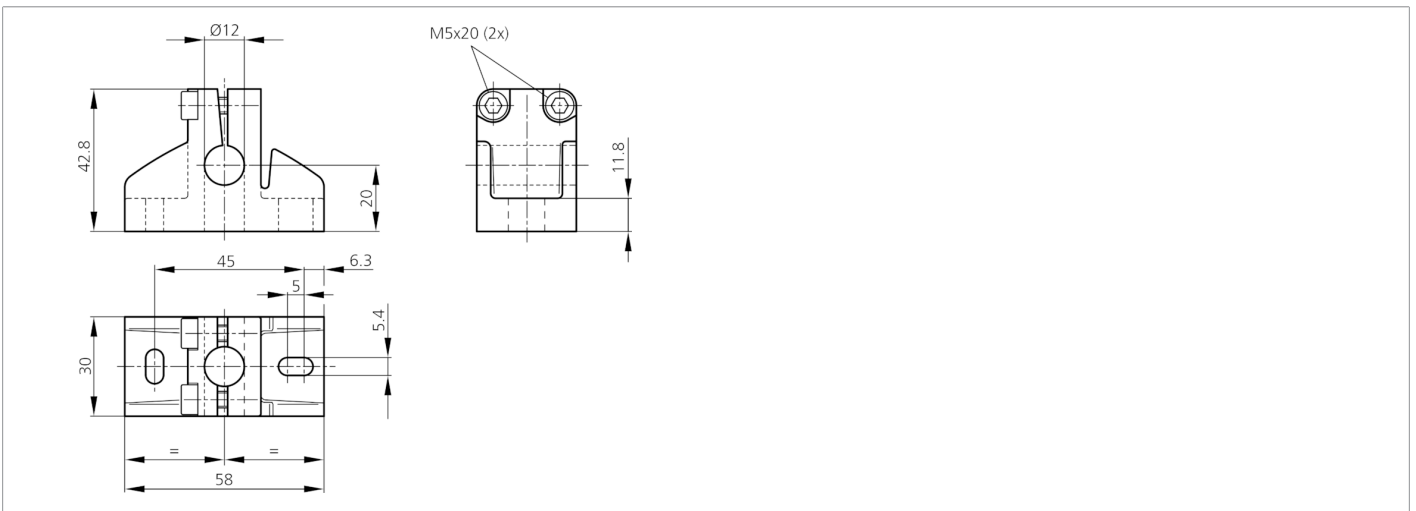
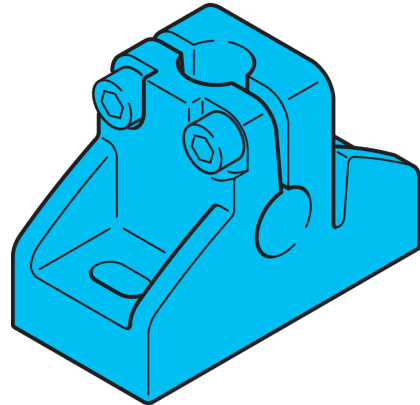




210009
HS-GH-3-12-A
Basic holder

- Highly flexible versatile mounting system
- Universal mounting
- Stepless adjustment
- Robust design



Technical data (typ.)	+20°C
Dimension	Ø 12 mm (Diameter Mounting pin / boring)
Housing material	Aluminum
Component	Basic holder
Product series	Z-UBT-KL-MS Assembly system
More information / accessories	https://www.di-soric.com/210009