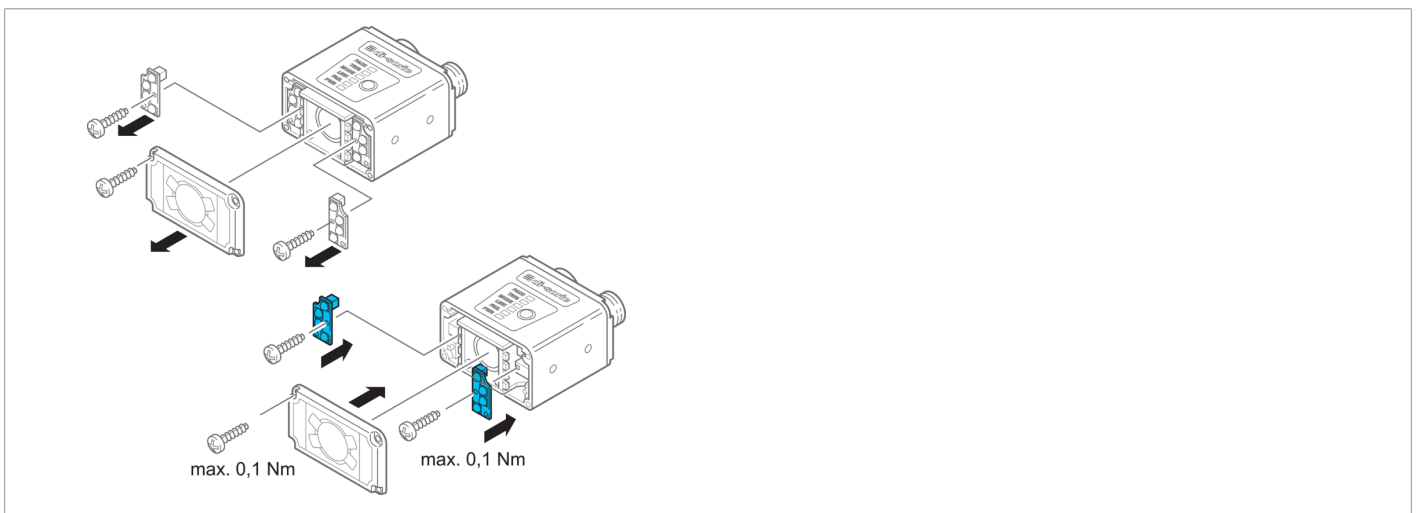
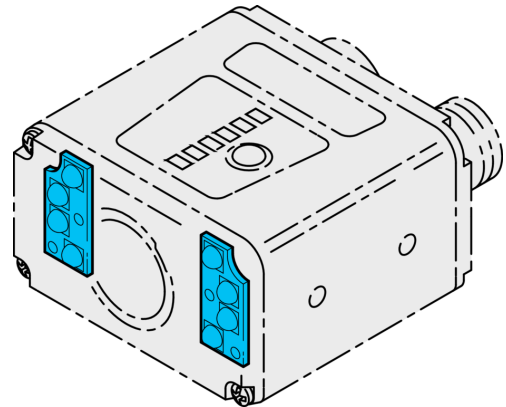




210180
BE-CS-G0
LED board replacement kit, infrared

- For mounting on CS 50



Function

													CE
--	--	--	--	--	--	--	--	--	--	--	--	--	-----------

Technical data (typ.)

+20°C, 24 V DC

Tightening torque	0.1 Nm
Component	LED board replacement kit, infrared
To be used for	CS 50 Vision Sensors
Light source	LED
Color	Infrared
Wavelength	850 nm

More information / accessories

<https://www.di-soric.com/210180>