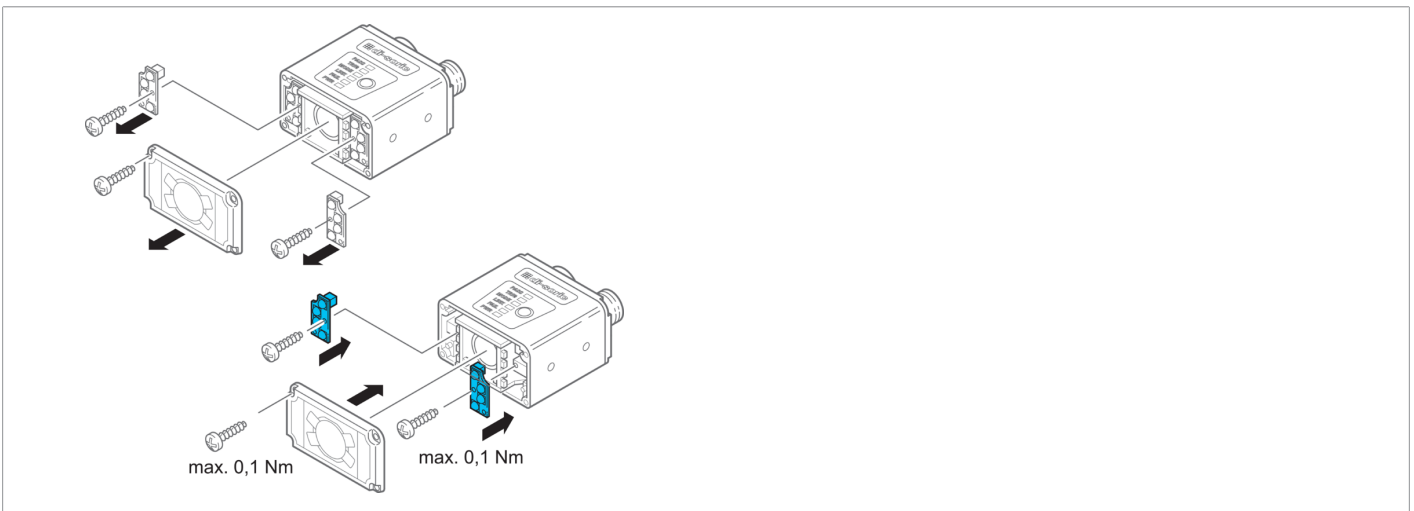
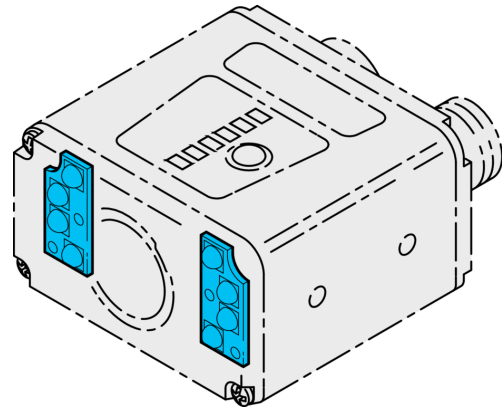




210181
BE-CS-G1
LED board replacement kit, red

- For mounting on CS 50



Function

													
--	--	--	--	--	--	--	--	--	--	--	--	--	---

Technical data (typ.)

+20°C, 24 V DC

Tightening torque	0.1 Nm
Component	LED board replacement kit, red
To be used for	CS 50 Vision Sensors
Light source	LED
Color	Red
Wavelength	625 nm

More information / accessories

<https://www.di-soric.com/210181>