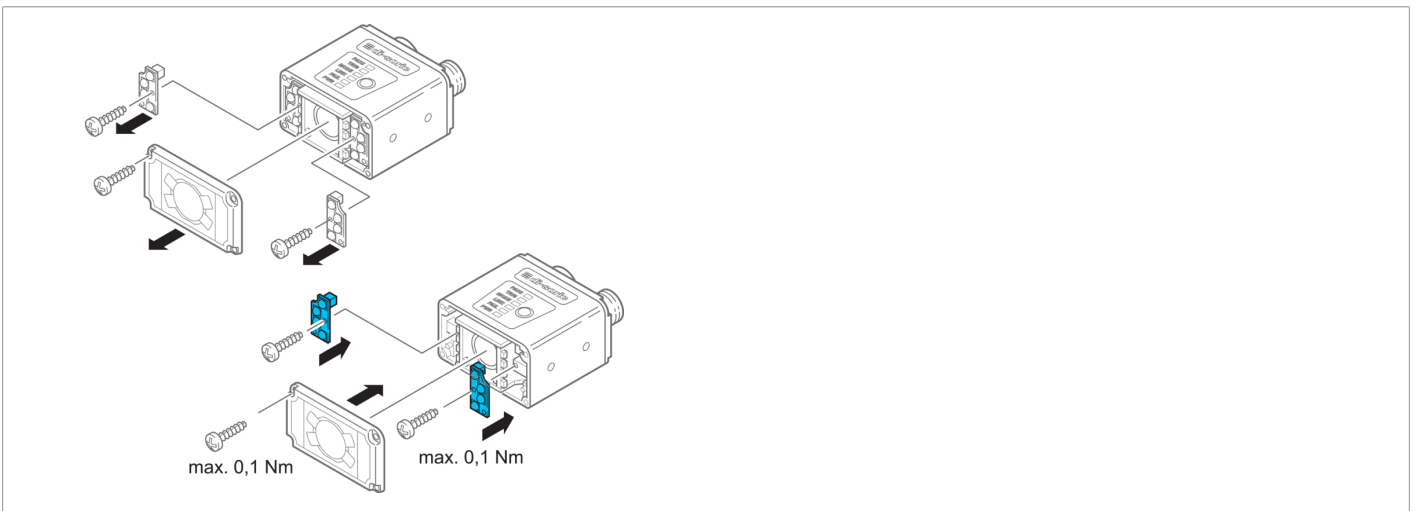
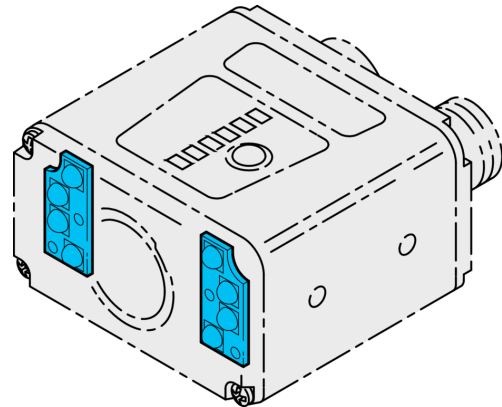




**210182**  
**BE-CS-G3**  
**LED board replacement kit, blue**

- For mounting on CS 50



**Function**

													
--	--	--	--	--	--	--	--	--	--	--	--	--	---

**Technical data (typ.)**

**+20°C, 24 V DC**

Tightening torque (max.)	0.1 Nm
Component	LED board replacement kit, blue
To be used for	CS 50 Vision Sensors
Light source	LED
Color	Blue
Wavelength	470 nm

**More information / accessories**

<https://www.di-soric.com/210182>